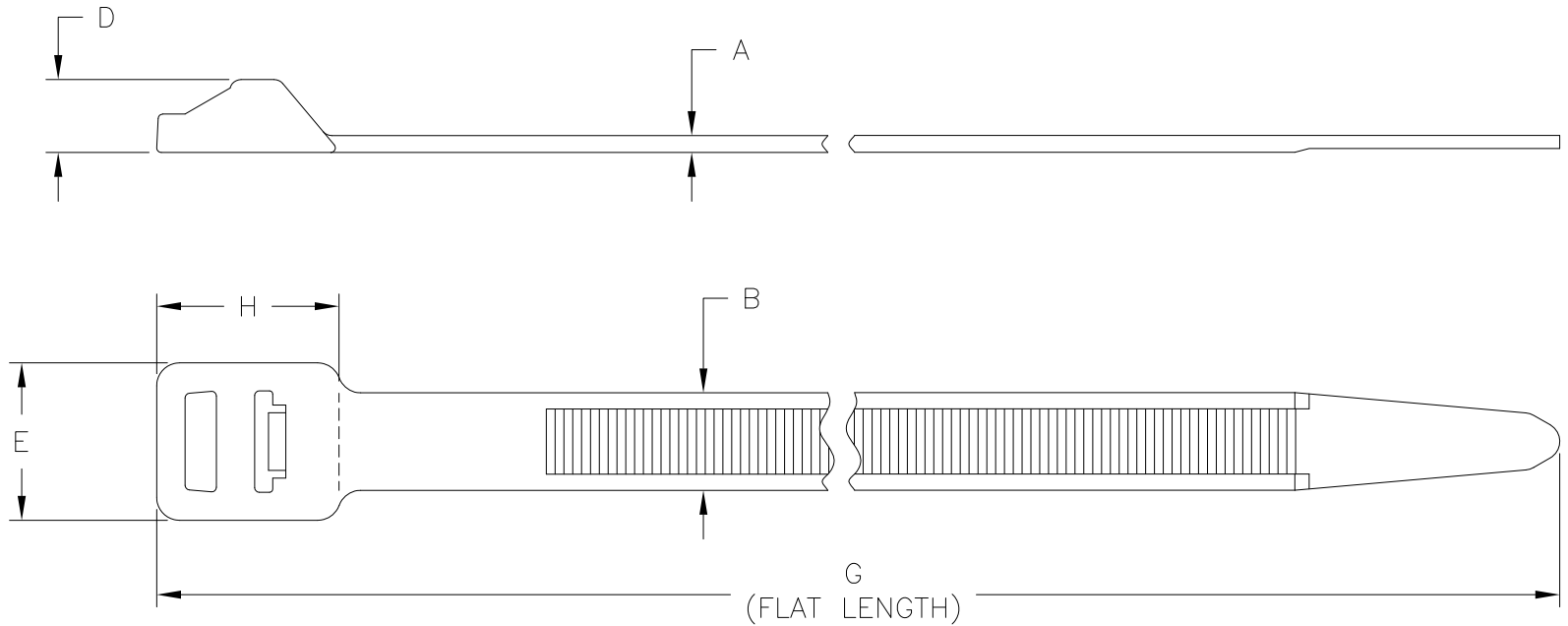


Revision level		Revision Record	Changed	Date	Approved	Date
part	drawing					
—	04					



PRODUCT CODE DESCRIPTION

T250R\_UV  
 COLOR  
 (CONSULT FACTORY FOR AVAILABLE COLORS)



Aerospace Spec Tie SAE AS33671	Type	Cable Range (mm)	Material	A	B	D	E	G	H	Min Loop Tensile Strength (newtons)
no	T250R	12 to 125	PA66	1.9 ±0.2	12.5±0.2	9.5 ±0.5	20.0 ±0.5	515.0 ±5.0	22.4 ±1.0	1115
no			PA66HIRHSUV							

SEE CHART

Material

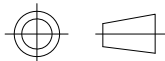
Dimension tolerances unless otherwise specified

- .XXXX =
- .XXX =
- .XX =
- .X = ± NOTED
- ∠ =

Dimension Units mm

PERFORMANCE SPECIFICATION

ACAD MECH  
2010



Drawn

A.A.M.

12/05/00

Scale

1:1

Computer File Number  
CT\CST\2250003\_04

Approved

K.A.C.

06/17/13

Title

Phase: Production

ALL PROPRIETARY RIGHTS IN THE SUBJECT MATTER SHOWN ON THIS DRAWING ARE EXCLUSIVE PROPERTY OF HELLERMANN TYTON

**HellermannTyton**

7930 N. Faulkner Rd.  
Milwaukee, WI 53224  
Ph: (414) 355-1130  
Fx: (414) 362-8338

**T250R  
HEAVY DUTY  
LASHING CABLE TIE**

Drawing-No

**CT2250003CST**

Format

AH

Sheet 1 of 1