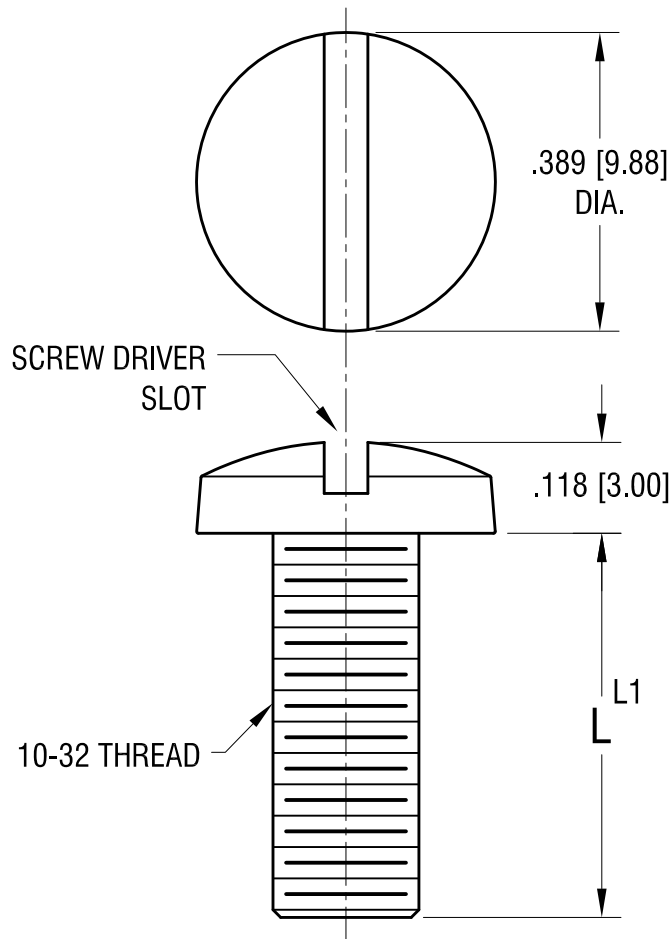


THIS DOCUMENT IS THE PROPERTY OF  
KEYSTONE ELECTRONICS CORP. AND  
SHALL NOT BE REPRODUCED, DISTRIBUTED  
OR USED AS A BASIS FOR MANUFACTURE  
WITHOUT PRIOR WRITTEN PERMISSION  
FROM KEYSTONE ELECTRONICS CORP.



PART NO.	'L' DIM.	'L1' TOL. +0.0
9450	.500 [12.70]	-.020 [-0.50]
9451	.750 [19.05]	-.030 [-0.76]
9452	1.000 [25.40]	
9453	1.500 [38.10]	-.060 [-1.52]

**KEYSTONE ELECTRONICS CORP.**

www.keyelco.com • NEW HYDE PARK, NY 11040 • Tel (516) 328-7500

PART NAME				10-32 BINDING HEAD SCEW			
MATERIAL				NYLON 6/6			
FINISH		DRN BY		DATE		APP'D	
NONE		BOONE		3.01.04		LN	
TOLERANCES		INCH [MM]		CODE		DWG NO.	
DECIMAL		± .010 [± 0.25]		C		9450-9453	
ANGULAR		± 1°		UNLESS OTHERWISE SPECIFIED			

DATE	DESCRIPTION	REV.