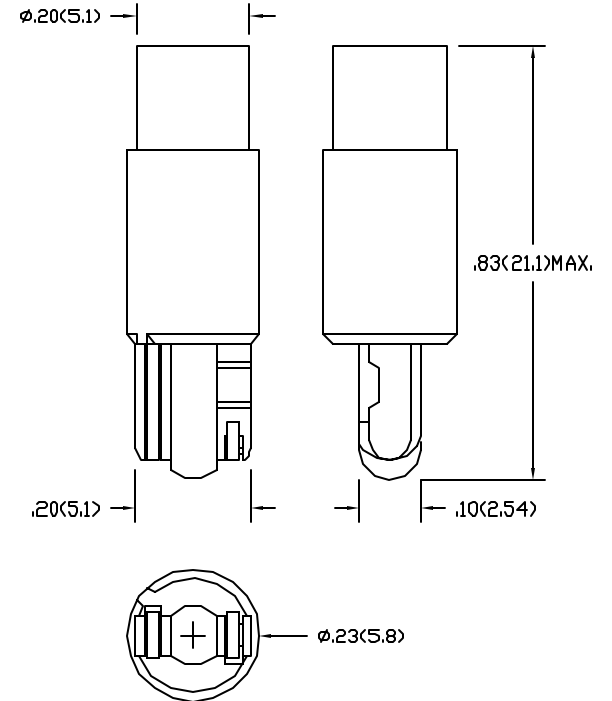
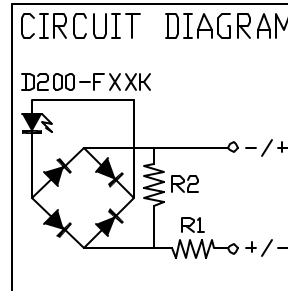


DATA DISPLAY PRODUCTS (DDP) PROPRIETARY INFORMATION. DO NOT REPRODUCE, COPY, OR USE WITHOUT EXPRESS WRITTEN PERMISSION. COPYRIGHT DATA DISPLAY PRODUCTS.

REV.	DATE	BY	DESCRIPTION	503255
A	011212	LC	INITIAL RELEASE	

ELECTRO-OPTICAL CHARACTERISTICS
@ T_a = 25°C

SYM	PARAMETER	X = LED COLOR						UNIT
		RED	ORANGE	AMBER	GREEN	BLUE	WHITE	
I _v	TYP. LUMINOUS INTENSITY e I _F =20mA	300	450	325	300	125	270	mcd
V _o	OPERATING VOLTAGE	28	28	28	28	28	28	V
I _f	TYP. FORWARD CURRENT e V _F =28V	15.0~16.0			9.0~10.0			mA
I _{nx}	MAX. FORWARD CURRENT e V _F =30V	17.5	17.5	17.5	11	11	11	mA
V _{br}	REVERSE BREAKDOWN e I _r =100uA	-	-	-	-	-	-	V
λ _{pk}	PEAK WAVELENGTH	635	609	592	520	465	-	nm
λ _D	DOMINANT WAVELENGTH	625	605	590	525	470	-	nm



ABSOLUTE MAX. RATINGS T_a=25°C

PARAMETER	VALUE		UNIT
	R, D & A	G, B & W	
POWER DISSIPATION	525	330	mW
DERATE/°C >T _a	7.9	5	mW
OPERATING VOLTAGE	30	30	V
OPERATING TEMPERATURE	-40<+100	-30<+85	°C
STORAGE TEMPERATURE	-40<+120	-40<+100	°C

REMARKS:

- Dimensions are in inches(mm).
- LED encapsulation is water-clear.
- This device is immune to peak noise current of 3mA.
- Caution: GaInN LEDs are class 1 ESD sensitive (MIL-STD-1686). Exceeding absolute maximum ratings may cause damage to, or possibly result in catastrophic failure of these devices. Use appropriate ESD precautions during handling and operation.
- For 200-FW4K LED chromaticity coordinate range, see drawing #502590.

445 S. DOUGLAS ST., EL SEGUNDO, CA. 90245 (310)640-0442 FAX: (310)640-7639			
DATE:	DWN BY:	CHK'D BY:	APPRV'D BY:
011212	LC		
LAST REV. DATE:	REV LEVEL	MATERIAL:	
-	A	-	
TITLE			
85LS-X1			
SCALE:	TOL:	ANG.	DWG NUMBER:
NONE	± .025(.63) .010(.25)	-	503255