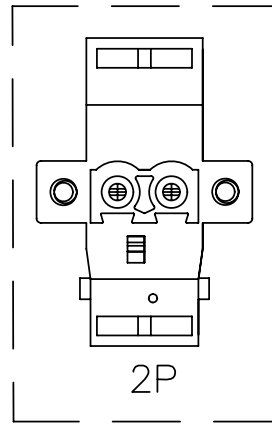
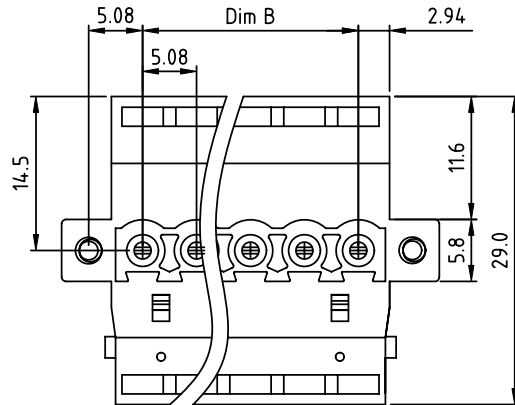
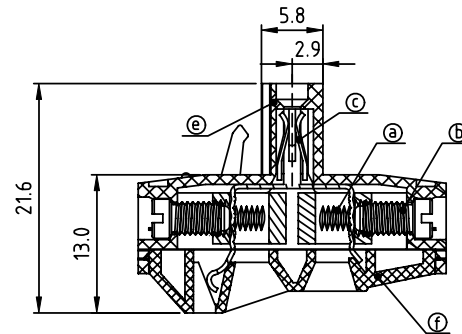
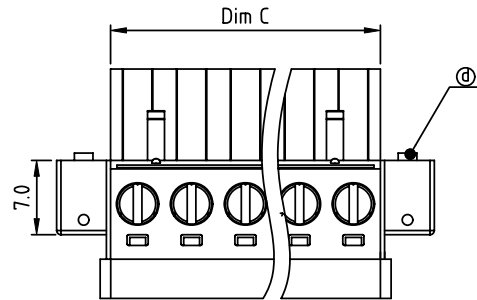


PRODUCT NUMBER	PITCH
VHxx51x200J0G	5.08 mm



N = Number of poles
 Dim L=(N-1)x5.08+15.24
 Dim A=(N-1)x5.08+5.88
 Dim B=(N-1)x5.08
 Dim C=Nx5.08
 Dim D=(N-1)x5.08+10.16

Poles	Dim L	Dim A	Dim B	Dim C	Dim D
2p-6p	±0.15	±0.15	±0.10	±0.15	±0.15
7p-12p	±0.20	±0.20	±0.20	±0.20	±0.20
13p-18p	±0.30	±0.30	±0.25	±0.30	±0.30
19p-24p	±0.40	±0.40	±0.35	±0.40	±0.40

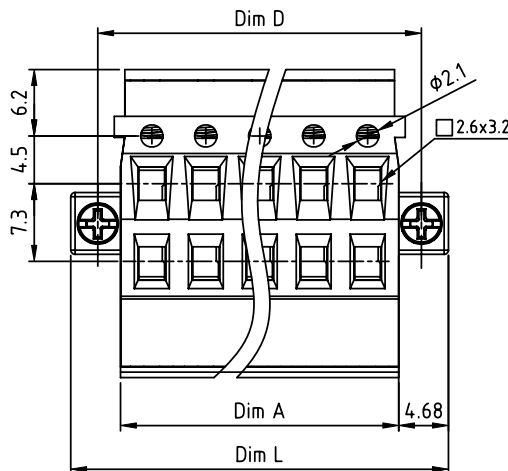


Material:

- Item(a) Clamp: Brass(CuZn) Ni plated
- Item(d) Terminal screw: Brass Zinc plating "-" slot type
- Item(c) Female contact: High conductivity copper, Tin plated
- Item(a) With flange screw: steel Zinc plating "+/-" combination type M2.5
- Item(a) Terminal (housing): Thermoplastic (UL94V-0)
- Item(f) Terminal (cover): Thermoplastic (UL94V-0)

Electrical cULus

- Voltage rating: 300VAC
- Current rating: 20A
- Wire range:
- Solid wire(AWG): 12-24
- Stranded wire(AWG): 12-24
- Torque: 4.3 Lb-In
- Screw: M3
- Wire strip length: 7-8mm
- Withstanding Voltage: 1.6KV
- Operating temperature: -40°C to +115°C
- Safety Approval:



PART NO.: VH xx 51 x 2 00J0 G

Solid block	No. of poles	Color	RoHS compliant (lead<4%) In copper Alloy
0	2	Black (RAL9005)	
02	3	Red (RAL3001/D)	
03	4	Orange(RAL2011/P)	
...	5	Yellow(RAL1018/A)	
...	6	Green(RAL6018/T)	
24	7	Blue (RAL5015/A)	
	8	Grey(RAL7035/D)	
	9	White(RAL1102)	
	C	Green(RAL6018/U)	

mat'l. code				surface ASME Y14.5	tolerance ASME Y14.5	projection 	product family TERMINAL BLOCK
ltr	ecn	no	dr	tolerances unless otherwise specified		MM	title TERMINAL BLOCK
				angles 	X.±0.5		PLUGGABLE PLUG, WITH FLANGE
				X°±1'	X.X±0.3	scale	PLUGGABLE PLUG, WITH FLANGE
					X.XX±0.1		dwg no VHxx51x200J0G
				dr	EVIN ZHONG 050614		sheet 1 of 1
				enr	EVIN ZHONG 050614		size A4
				chr	HANKE FENG 050614		
				appd	SHI JUN 050614		type CUSTOMER Drawing
sheet index	revision	A					
	sheet	1					