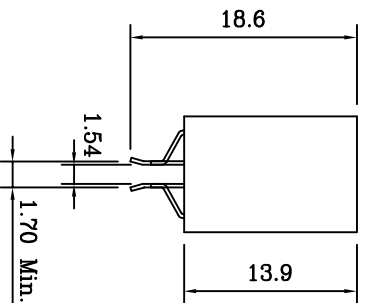
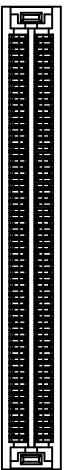
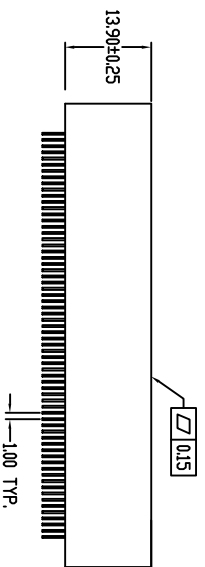
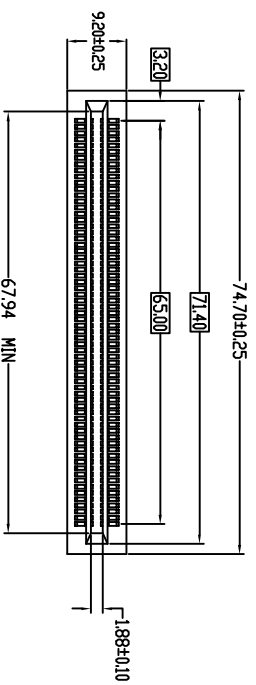


# MATERIALS

- \* Body : P.C.T. (ul-94V-0)
- \* Contact : phosphor Bronze
- \* Contact plating : Gold flash in contact area  
Tin / Lead on tails



B	6-19-03	BC	Revised body angle	DESCRIPTION
REV.	DATE	CHK		
San Marcos, CA Fax: 760 744-6081				
Tel: 760 744-0125 www.SullinsElectronics.com				
DRAWN		DESCRIPTION		
AGP		Imm Edge Card		
APP.		PART NUMBER		
IPWE066DKRN-TAGP				
SCALE		SIZE		REV.
NTS				B
SHEET				
1 of 1				

# SULLINS ELECTRONICS CORP.