

	DATE	2017.11.13	SPECIFICATION	OLE WOLFF INTERNATIONAL
	PAGE	1 / 7		www.owolff.com
	CN	<i>MODEL NAME:</i> OWR-0920T-16C		<i>Rev.0</i>

Specification for Preliminary Receiver

Customer No.	
Model Name	OWR-0920T-16C
Note	This item was compliance with following the provisions: 1. RoHS directive 2. REACH

	DRAWN	CHECKED	APPROVED
CUSTOMER SIGN			
OLE WOLFF SIGN	Nathan Chen 2017. 11. 13		

REVISION NOTES:

Date	DESCRIPTION OF REVISION	Rev. No.
2017.11.13	Initial version	Rev.0

OLE WOLFF ELEKTRONIK A/S Roedengvej 25 4180 Soroe Denmark TEL: +45 57833830 FAX: +45 57820019	OLE WOLFF ELECTRONICS INC. 6046 Cornerstone Ct.West Suite 105 San Diego, CA 92121 USA TEL: +1 858 45 00 555 FAX: +1 858 45 00 508	OLE WOLFF ELEKTRONIK GmbH Schnackenburgallee 14 D-22525 Hamburg GERMANY TEL: +49 (0) 407669070 FAX: +49 (0) 40772929	OLE WOLFF ELECTRONICS 3 Bedford Street, Woburn, Bedfordshire MK17 9QB, ENGLAND TEL: +44 (0) 1525 290755 FAX: +44 (0) 1525 290855	OLE WOLFF ELEKTRONIK Yliopistonkatu 26A,3F P.O. Box 257 FIN-40101 Jyväskylä FINLAND TEL: +358 14 338 3050 FAX: +358 14 338 3059	OLE WOLFF (ASIA) LTD. Unit 1-5, 10/F, Peninsula Tower, 538 Castle Peak Road, Lai Chi Kok, Kowloon HONG KONG TEL: +852 2424 3274 FAX: +852 2424 2219	OLE WOLFF ELECTRONICS (M) SDN. BHD. 7, Persiaran Bukit Kecil 1, Taman Sri Nibong, 11900 Bayan Lepas, Penang MALAYSIA TEL: +604 646 9573 FAX: +604 643 0981
---	--	--	---	---	--	--

	DATE	2017.11.13	SPECIFICATION	OLE WOLFF INTERNATIONAL
	PAGE	2 / 7		www.owolff.com
	CN	MODEL NAME: OWR-0920T-16C		<i>Rev.0</i>

1. SCOPE

THIS SPECIFICATION IS APPLIED FOR A DYNAMIC SPEAKER FOR EARPHONE.

2. TEST CONDITIONS

TEMPERATURE : 18°C ~ 22°C

HUMIDITY : 65% +/-5% (R.H.)

ATMOSPHERE : 860 ~ 1060 hPa

3. GENERAL REQUIREMENTS

OPERATING TEMPERATURE RANGE: -25° C ~ 60° C

STORAGE TEMPERATUR RANGE: -25° C ~ 70° C

4. MECANICAL LAYOUT & DIMENSIONS

DIMENSIONS : SHOWN IN FIGURE 4.

NET WEIGHT: 0.55 g

5. ELECTRICAL AND ACOUSTICAL CHARACTERISTICS

1	Impedance	16Ω ± 15% at 1kHz with 0.126V input.
2	Sound Pressure Level	100±3 dB at 1kHz with 0.126V input on a 2cc coupler (0dB=20μPa) Measure setup as shown in Fig.1 Binning: Bin A, 103 ~ 101dB, dot mark = red; Bin B, 100.99 ~ 99dB, dot mark = white; Bin C, 98.99 ~ 97dB, dot mark = blue.
3	Frequency response	Mask as shown in Fig.3. (Test input 0.126V/ 2cc)
4	Resonance frequency	3000± 15% Hz under 0.126V input.
5	Total Harmonic Distortion (THD)	Upper limit for THD as shown in Fig.3. (Test input 0.126V/ 2cc)
6	Input Power	(Nom. /Max.): 5mW / 10mW.
7	Rub & Buzz	Driver must be free of audible noise at 0.28V sine wave between 50Hz-10kHz.

OLE WOLFF ELEKTRONIK A/S Roedengvej 25 4180 Soroe Denmark TEL: +45 57833830 FAX: +45 57820019	OLE WOLFF ELECTRONICS INC. 6046 Cornerstone Ct.West Suite 105 San Diego, CA 92121 USA TEL: +1 858 45 00 555 FAX: +1 858 45 00 508	OLE WOLFF ELEKTRONIK GmbH Schnackenburgallee 14 D-22525 Hamburg GERMANY TEL: +49 (0) 407669070 FAX: +49 (0) 40772929	OLE WOLFF ELECTRONICS 3 Bedford Street, Woburn, Bedfordshire MK17 9QB, ENGLAND TEL: +44 (0) 1525 290755 FAX: +44 (0) 1525 290855	OLE WOLFF ELEKTRONIK Yliopistonkatu 26A,3F P.O. Box 257 FIN-40101 Jyväskylä FINLAND TEL: +358 14 338 3050 FAX: +358 14 338 3059	OLE WOLFF (ASIA) LTD. Unit 1-5, 10/F, Peninsula Tower, 538 Castle Peak Road, Lai Chi Kok, Kowloon HONG KONG TEL: +852 2424 3274 FAX: +852 2424 2219	OLE WOLFF ELECTRONICS (M) SDN. BHD. 7, Persiaran Bukit Kecil 1, Taman Sri Nibong, 11900 Bayan Lepas, Penang MALAYSIA TEL: +604 646 9573 FAX: +604 643 0981
---	--	--	---	---	--	--

	DATE	2017.11.13	SPECIFICATION	OLE WOLFF INTERNATIONAL
	PAGE	3 / 7		www.owolff.com
	CN	MODEL NAME: OWR-0920T-16C		<i>Rev.0</i>

6. Reliability Test Requirements

Sensitivity difference at 1000Hz shall be within $\pm 3\text{dB}$ from initial value after each test. The measurement shall be done after minimum 1hour and maximum 2 hours with conditioning of $18^\circ\text{C} \sim 25^\circ\text{C}$.

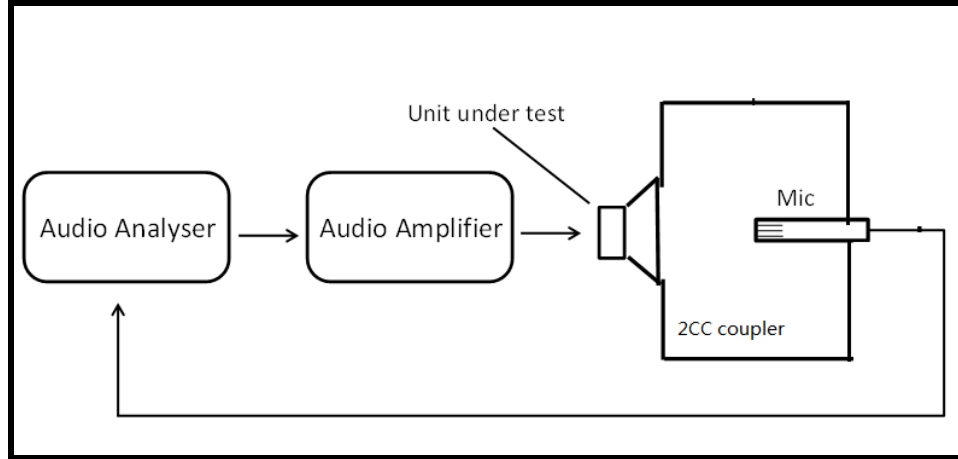
No.	ITEMS	TEST CONDITION	
1	HIGH TEMPERATURE TEST STORAGE	Temperature	$60 \pm 3^\circ\text{C}$
		Duration	96hrs
2	LOW TEMPERATURE TEST STORAGE	Temperature	$-25 \pm 3^\circ\text{C}$
		Duration	96hrs
3	HIGH TEMPERATURE HUMIDITY TEST	Temperature	$40 \pm 3^\circ\text{C}$
		Humidity	90%--95%(RH)
		Duration	96hrs
4	DROP TEST	Height	1m to concrete
		Total times	10 times
5	TEMPERATURE CYCLE TEST	Temperature	$-25 \pm 3^\circ\text{C} \leftrightarrow 60 \pm 3^\circ\text{C}$
		Duration	2hours, 5mins, 2hours
		Cycles	5 cycles
6	MAX. SHORT TERM POWER TEST	Test signal and Temperature	Pink noise / 25°C
		Test input power	0.4Vrms
		Cycles	1sec On, 1min Off, 60 cycles
7	RATED POWER TEST	Test signal and Temperature	Pink Noise / 25°C
		Test input power	0.28Vrms
		Duration	96hrs

OLE WOLFF ELEKTRONIK A/S Roedengvej 25 4180 Soroe Denmark TEL: +45 57833830 FAX: +45 57820019	OLE WOLFF ELECTRONICS INC. 6046 Cornerstone Ct.West Suite 105 San Diego, CA 92121 USA TEL: +1 858 45 00 555 FAX: +1 858 45 00 508	OLE WOLFF ELEKTRONIK GmbH Schnackenburgallee 14 D-22525 Hamburg GERMANY TEL: +49 (0) 407669070 FAX: +49 (0) 40772929	OLE WOLFF ELECTRONICS 3 Bedford Street, Woburn, Bedfordshire MK17 9QB, ENGLAND TEL: +44 (0) 1525 290755 FAX: +44 (0) 1525 290855	OLE WOLFF ELEKTRONIK Yliopistonkatu 26A,3F P.O. Box 257 FIN-40101 Jyväskylä FINLAND TEL: +358 14 338 3050 FAX: +358 14 338 3059	OLE WOLFF (ASIA) LTD. Unit 1-5, 10/F, Peninsula Tower, 538 Castle Peak Road, Lai Chi Kok, Kowloon HONG KONG TEL: +852 2424 3274 FAX: +852 2424 2219	OLE WOLFF ELECTRONICS (M) SDN. BHD. 7, Persiaran Bukit Kecil 1, Taman Sri Nibong, 11900 Bayan Lepas, Penang MALAYSIA TEL: +604 646 9573 FAX: +604 643 0981
---	--	--	---	---	--	--

	DATE	2017.11.13	SPECIFICATION	OLE WOLFF INTERNATIONAL
	PAGE	4 / 7		www.owolff.com
	CN	MODEL NAME: OWR-0920T-16C		Rev.0

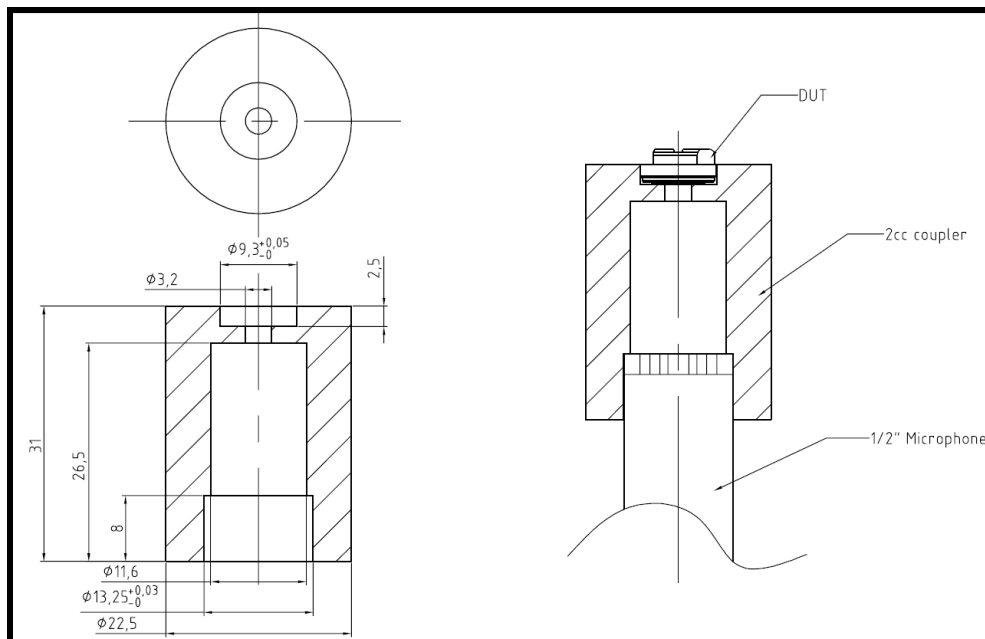
7. Test setup (Fig.1)

MEASUREMENT CIRCUIT FOR DYNAMIC SPEAKER



NO	EQUIPMENT	REMARKS
1	UNIT UNDER TEST	SPEAKER
2	2CC COUPLER	OLE WOLFF 2CC COUPLER
3	AUDIO POWER AMPLIFIER	LEM DPA300
4	ANALYZER	LISTEN SOUNDCHECK

8. 2cc coupler (Fig.2)

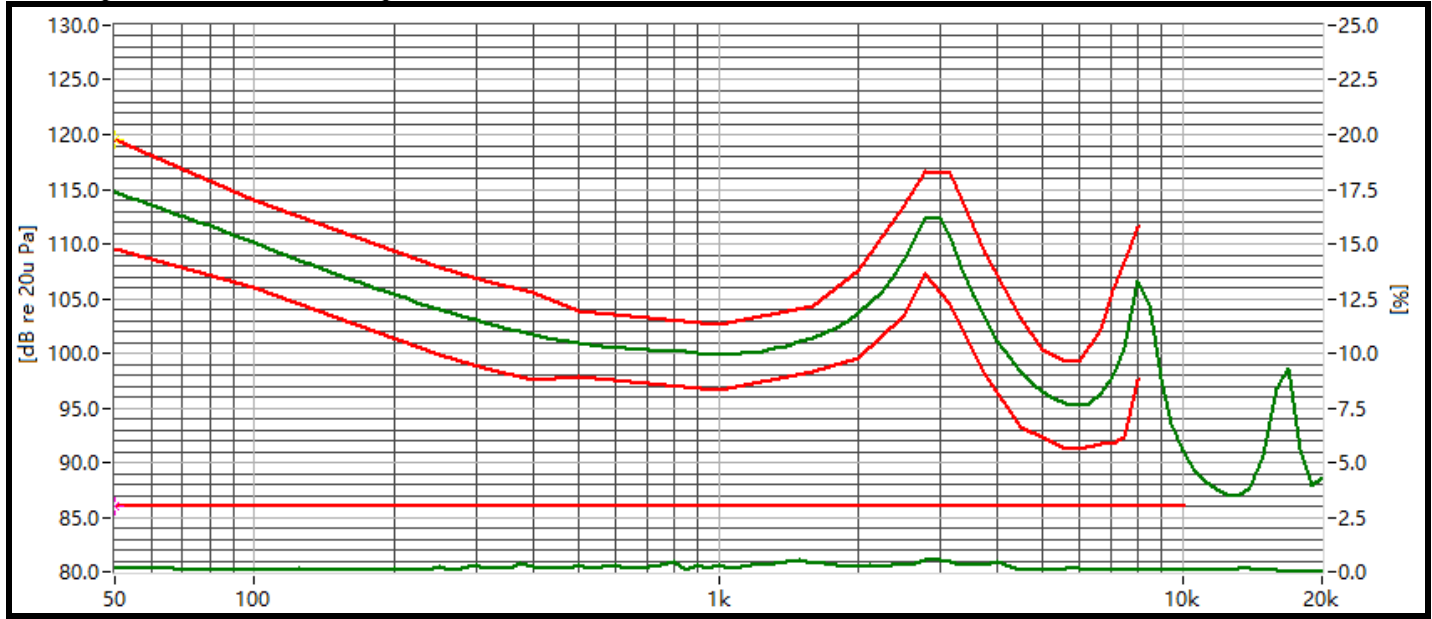


OLE WOLFF ELEKTRONIK A/S Roedengvej 25 4180 Soroe Denmark TEL: +45 57833830 FAX: +45 57820019	OLE WOLFF ELECTRONICS INC. 6046 Cornerstone Ct.West Suite 105 San Diego, CA 92121 USA TEL: +1 858 45 00 555 FAX: +1 858 45 00 508	OLE WOLFF ELEKTRONIK GmbH Schnackenburgallee 14 D-22525 Hamburg GERMANY TEL: +49 (0) 407669070 FAX: +49 (0) 40772929	OLE WOLFF ELECTRONICS 3 Bedford Street, Woburn, Bedfordshire MK17 9QB, ENGLAND TEL: +44 (0) 1525 290755 FAX: +44 (0) 1525 290855	OLE WOLFF ELEKTRONIK Yliopistonkatu 26A,3F P.O. Box 257 FIN-40101 Jyväskylä FINLAND TEL: +358 14 338 3050 FAX: +358 14 338 3059	OLE WOLFF (ASIA) LTD. Unit 1-5, 10/F, Peninsula Tower, 538 Castle Peak Road, Lai Chi Kok, Kowloon HONG KONG TEL: +852 2424 3274 FAX: +852 2424 2219	OLE WOLFF ELECTRONICS (M) SDN. BHD. 7, Persiaran Bukit Kecil 1, Taman Sri Nibong, 11900 Bayan Lepas, Penang MALAYSIA TEL: +604 646 9573 FAX: +604 643 0981
---	--	--	---	---	--	--

	DATE	2017.11.13	SPECIFICATION	OLE WOLFF INTERNATIONAL
	PAGE	5 / 7		www.owolff.com
	CN	MODEL NAME: OWR-0920T-16C		Rev.0

9. Standard Frequency Response Curve & Standard THD (Fig.3)

Test input 0.126V, 2cc coupler, 1/6 octave



FR Mask

F. POINT	50	100	250	315	400	500	710	1000	1600	2000	2500	Hz
Upper limit	+5	+4	+4	+4	+4	+3	+3	+3	+3	+4	+5	dB
Lower limit	-5	-4	-4	-4	-4	-3	-3	-3	-3	-4	-5	dB

F. POINT	2800	3150	3750	4500	5000	5600	6000	6700	7100	7500	8000	Hz
Upper limit	+4.5	+6	+6	+5	+4	+4	+4	+6	+8	+8	+5	dB
Lower limit	-5	-6	-5	-5	-4	-4	-4	-4.5	-6	-8	-9	dB

THD Mask

F. POINT	50	10000	Hz
Upper limit	3	3	%

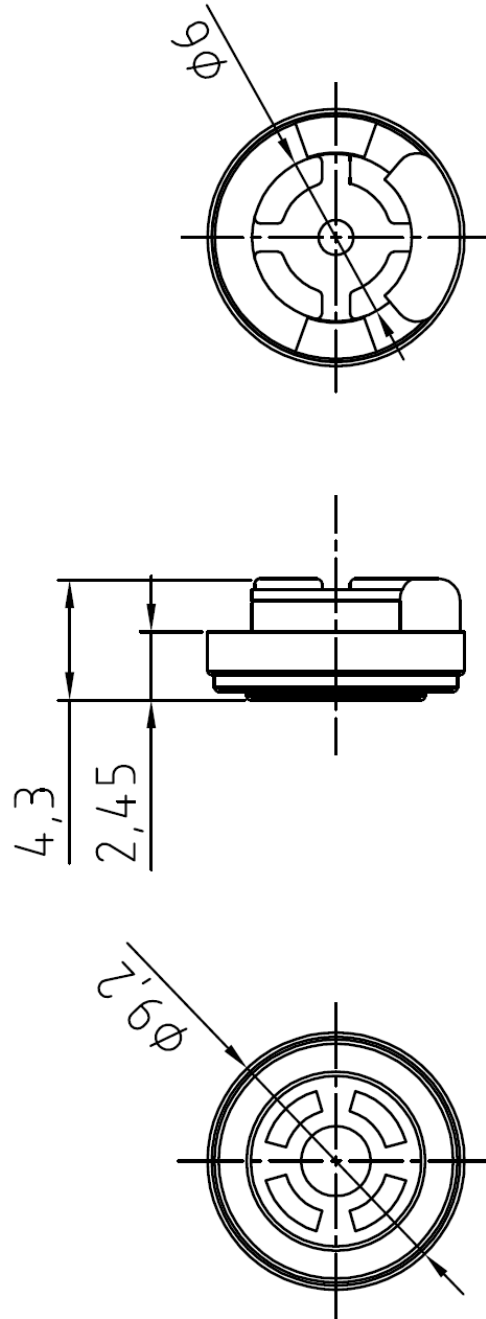
OLE WOLFF ELEKTRONIK A/S Roedengvej 25 4180 Soroe Denmark TEL: +45 57833830 FAX: +45 57820019	OLE WOLFF ELECTRONICS INC. 6046 Cornerstone Ct.West Suite 105 San Diego, CA 92121 USA TEL: +1 858 45 00 555 FAX: +1 858 45 00 508	OLE WOLFF ELEKTRONIK GmbH Schnackenburgallee 14 D-22525 Hamburg GERMANY TEL: +49 (0) 407669070 FAX: +49 (0) 40772929	OLE WOLFF ELECTRONICS 3 Bedford Street, Woburn, Bedfordshire MK17 9QB, ENGLAND TEL: +44 (0) 1525 290755 FAX: +44 (0) 1525 290855	OLE WOLFF ELEKTRONIK Yliopistonkatu 26A,3F P.O. Box 257 FIN-40101 Jyväskylä FINLAND TEL: +358 14 338 3050 FAX: +358 14 338 3059	OLE WOLFF (ASIA) LTD. Unit 1-5, 10/F, Peninsula Tower, 538 Castle Peak Road, Lai Chi Kok, Kowloon HONG KONG TEL: +852 2424 3274 FAX: +852 2424 2219	OLE WOLFF ELECTRONICS (M) SDN. BHD. 7, Persiaran Bukit Kecil 1, Taman Sri Nibong, 11900 Bayan Lepas, Penang MALAYSIA TEL: +604 646 9573 FAX: +604 643 0981
---	--	--	---	---	--	--

	DATE	2017.11.13	SPECIFICATION	OLE WOLFF INTERNATIONAL	
	PAGE	6 / 7		www.owolff.com	
	CN	MODEL NAME: OWR-0920T-16C			Rev.0

10. Dimension (Fig.4)

Unit: mm

Tolerance: +/-0.3



OLE WOLFF ELEKTRONIK A/S Roedengvej 25 4180 Soroe Denmark TEL: +45 57833830 FAX: +45 57820019	OLE WOLFF ELECTRONICS INC. 6046 Cornerstone Ct.West Suite 105 San Diego, CA 92121 USA TEL: +1 858 45 00 555 FAX: +1 858 45 00 508	OLE WOLFF ELEKTRONIK GmbH Schnackenburgallee 14 D-22525 Hamburg GERMANY TEL: +49 (0) 407669070 FAX: +49 (0) 40772929	OLE WOLFF ELECTRONICS 3 Bedford Street, Woburn, Bedfordshire MK17 9QB, ENGLAND TEL: +44 (0) 1525 290755 FAX: +44 (0) 1525 290855	OLE WOLFF ELEKTRONIK Yliopistonkatu 26A,3F P.O. Box 257 FIN-40101 Jyväskylä FINLAND TEL: +358 14 338 3050 FAX: +358 14 338 3059	OLE WOLFF (ASIA) LTD. Unit 1-5, 10/F, Peninsula Tower, 538 Castle Peak Road, Lai Chi Kok, Kowloon HONG KONG TEL: +852 2424 3274 FAX: +852 2424 2219	OLE WOLFF ELECTRONICS (M) SDN. BHD. 7, Persiaran Bukit Kecil 1, Taman Sri Nibong, 11900 Bayan Lepas, Penang MALAYSIA TEL: +604 646 9573 FAX: +604 643 0981
---	--	--	---	---	--	--