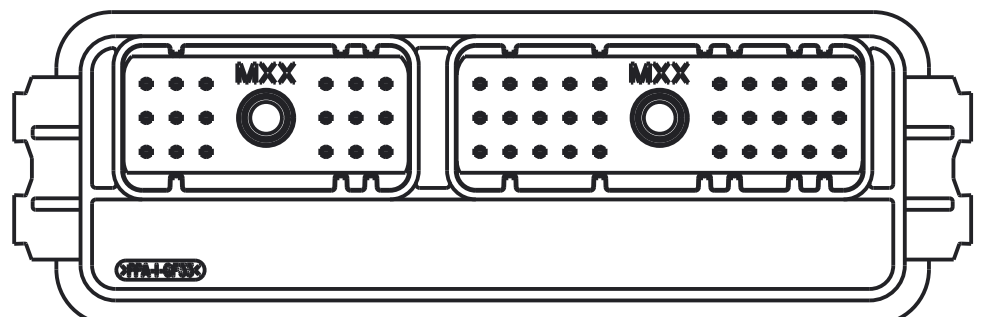
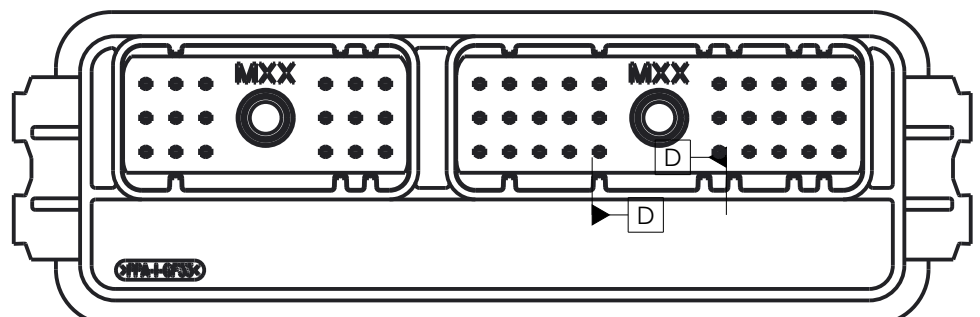
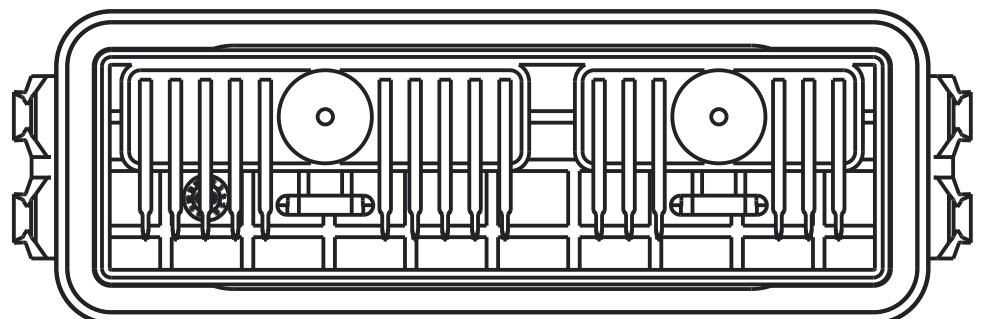
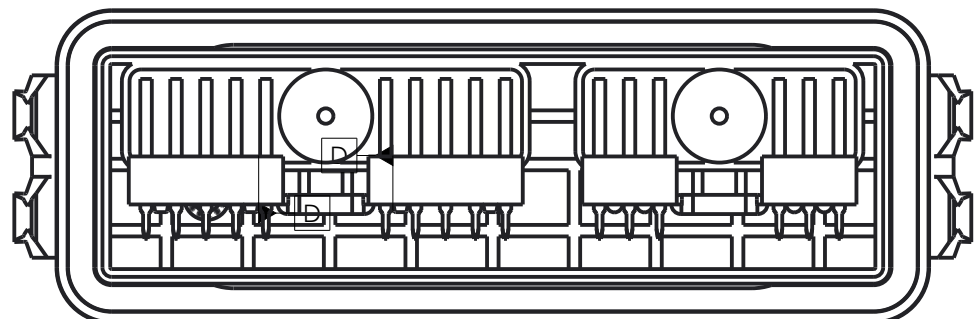


# CINCH PART NUMBER MATRIX

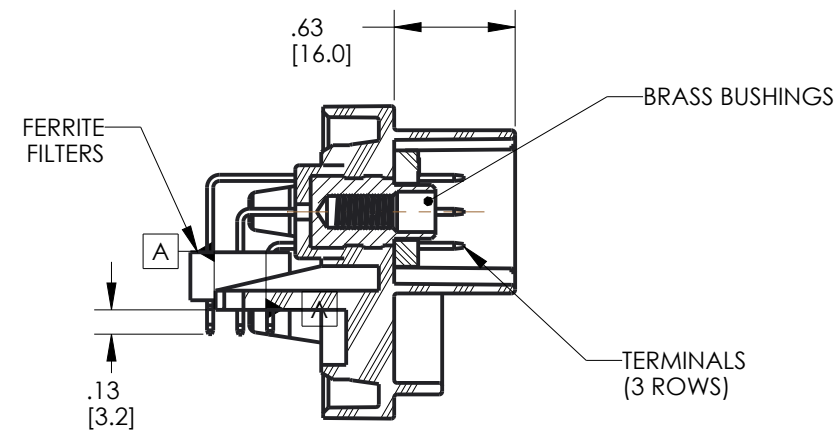
<b>P/N: 5810148009</b>	<b>P/N: 5810148010</b>
48-WAY HEADER ASSEMBLY WITHOUT FERRITE FILTERS	48-WAY HEADER ASSEMBLY WITH FERRITE FILTERS
	
	
<p>MATES WITH CINCH HARNESS CONNECTORS P/N: 5810118023 (18-WAY) AND 5810130029 (30-WAY)</p>	

DRAWING REVISIONS (RELEASE DATE ON FILE)			
REV	DOCUMENT	APP	APPROVAL DATE
C	CO 3274	KR	7/18/16

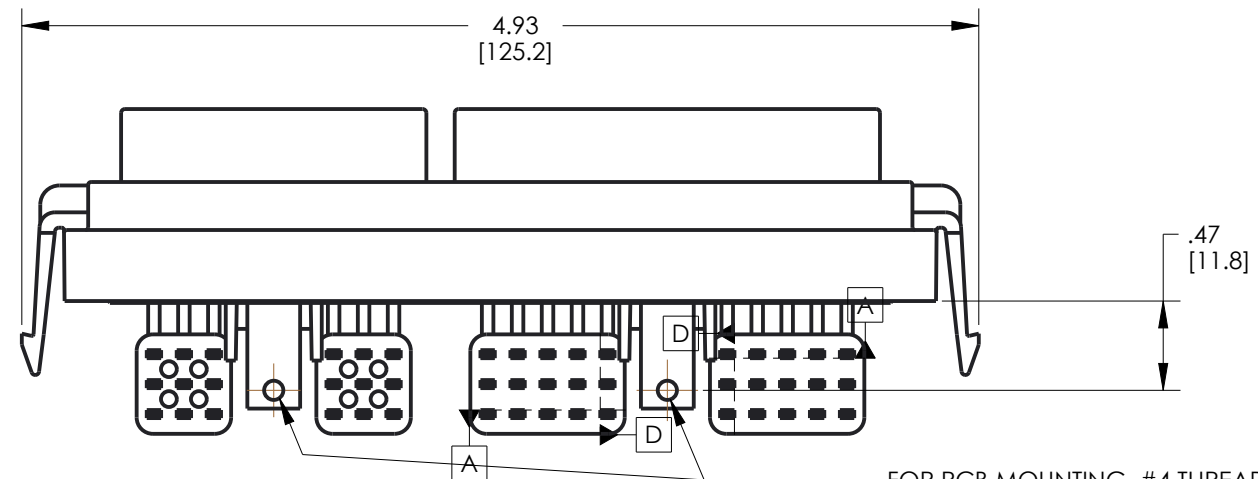
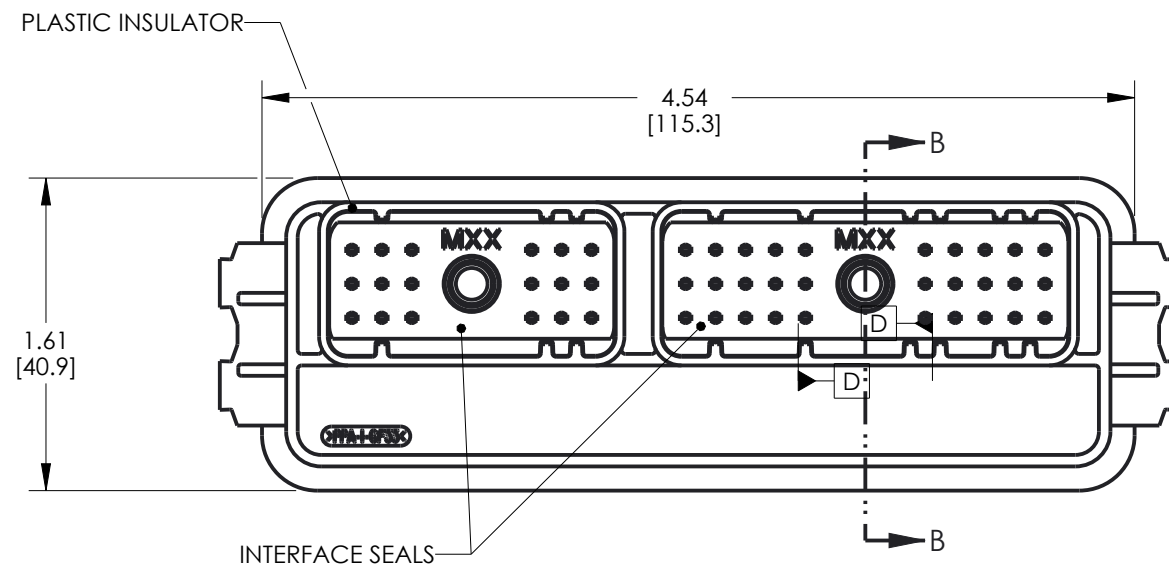
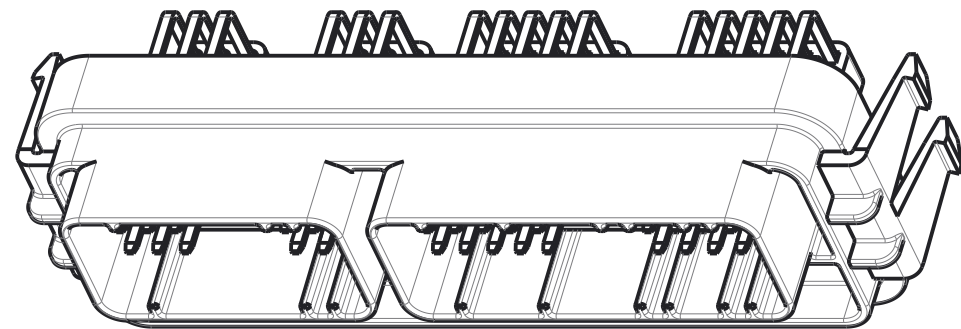
**NOTES:**

- ALL DIMENSIONS ARE IN INCHES; DIMENSIONS INSIDE [.XX] ARE IN mm, AS REFERENCE ONLY
- MATERIALS:  
 INTERFACE SEALS: SILICONE RUBBER, COLOR BLUE  
 INSULATOR: 30% GLASS FILLED POLYMER, COLOR BLACK  
 BUSHINGS: BRASS ALLOY, UNPLATED 10-24 UNC THREAD  
 TERMINAL BLADES: 1.5 mm BRASS WITH TIN OVER NICKEL PLATING  
 FILTERS: FERRITE BLOCKS
- ALL HEADERS ARE REFLOW OR WAVE SOLDERING PROCESS, ROHS COMPLIANT
- SUGGESTED PCB THICKNESS: .062 [1.57]
- IF USING FERRITE FILTER VERSION, TRACES SHOULD BE AVOIDED UNDER THE FERRITE SPACER FEET. SEE "PCB TOP SIDE PIN AREA WITH FERRITES DETAIL" - PAGE 3.
- MATES WITH CINCH SHS PUSH-TO-SEAT HARNESS CONNECTORS (SEE TABLE ABOVE)
- TORQUE MATING CONNECTOR SCREW TO 15 - 20 IN\*lbs [1.70 - 2.26 N\*m]

UNITS <b>ENGLISH INCHES</b>		DESIGN ENGINEER A. ECKHART	DATE 4/3/09	PRO/E	<b>CINCH</b> 1700 FINLEY RD LOMBARD, IL 60148 MODELED BY: A. ECKHART		
DO NOT SCALE DRAWING		APPROVALS ON FILE			TITLE 48-WAY HEADERS MODICE ME		
CONFIDENTIAL THIS DOCUMENT IS THE PROPERTY OF CINCH. NEITHER THIS DOCUMENT NOR ANY OF THE INFORMATION CONTAINED IN IT MAY BE DUPLICATED OR DISCLOSED WITHOUT PRIOR WRITTEN CONSENT OF CINCH. ©COPYRIGHT 2009 CINCH					MATERIAL SEE NOTES		CONTROL SPEC NUMBER
		MATERIAL SPEC NUMBER		FINISH		PROJECT NUMBER A14926	
		CAD FILE NUMBER 5810148009S		DRAWING NUMBER <b>5810148009S</b>		SCALE 1:1	
CAGE IDENT NO. 71785		SIZE B		SHEET 1 OF 3			



SECTION B-B



CINCH P/N: 5810148010 SHOWN  
(HEADER WITH FILTERS)

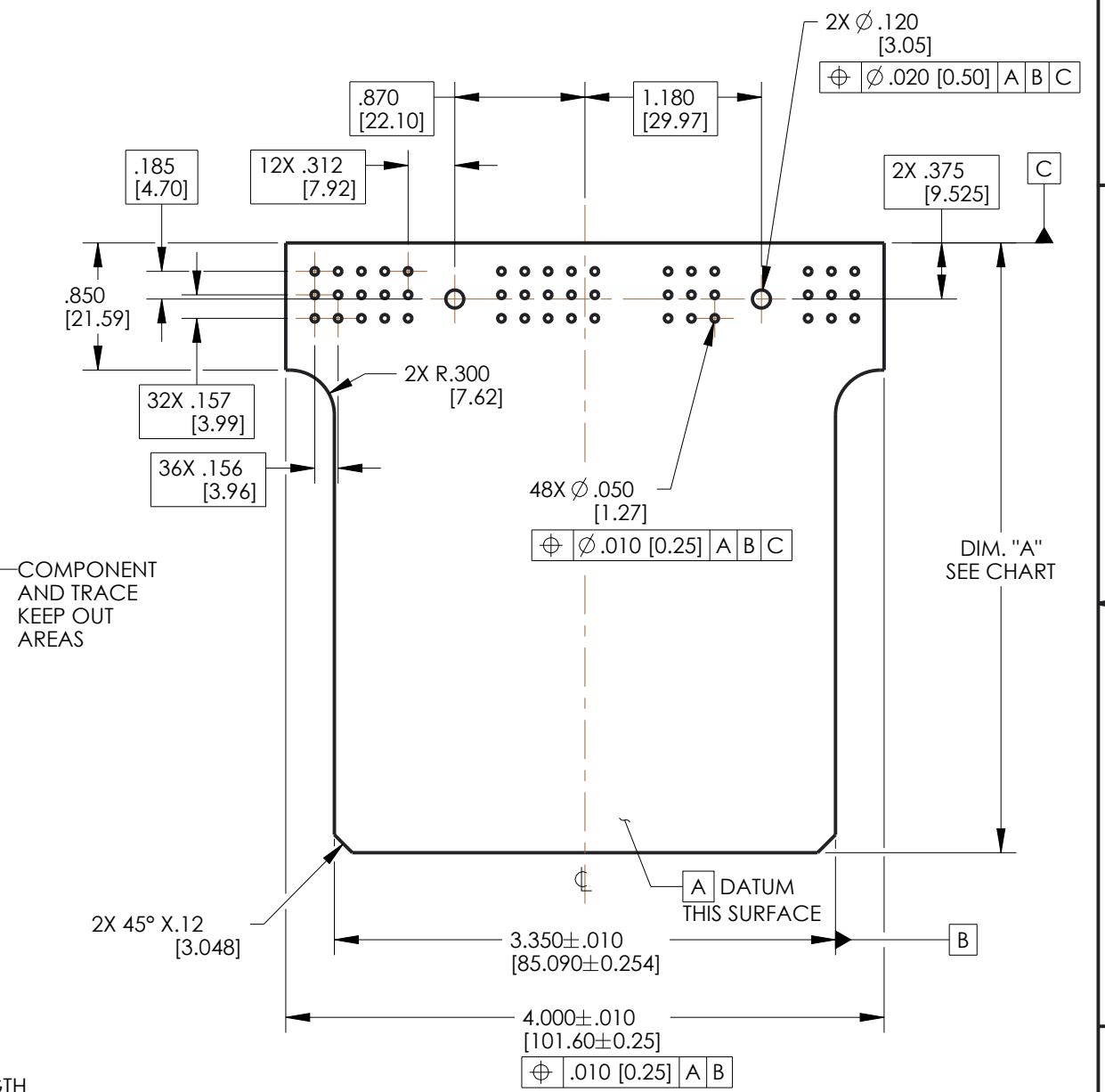
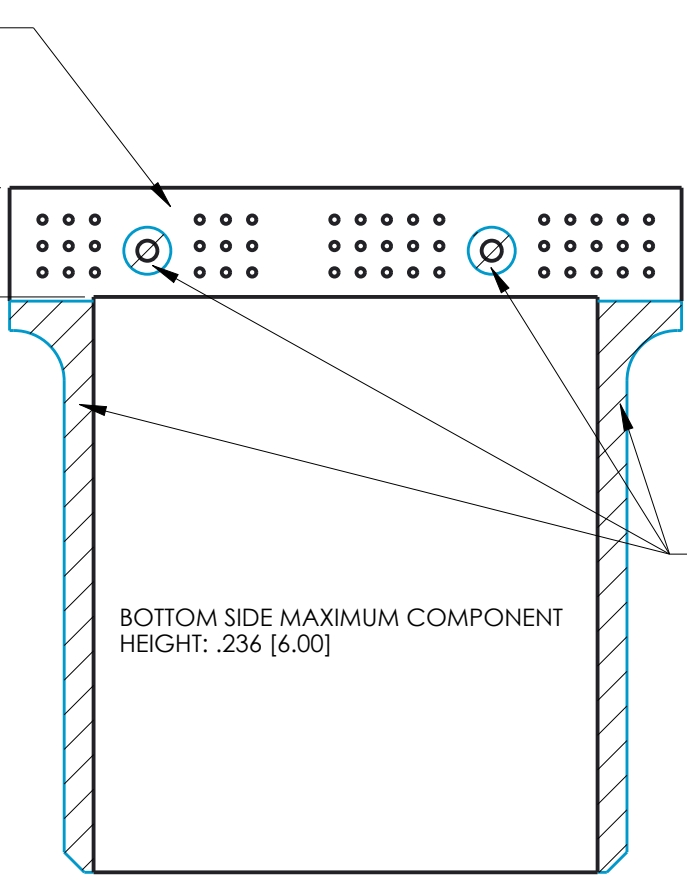
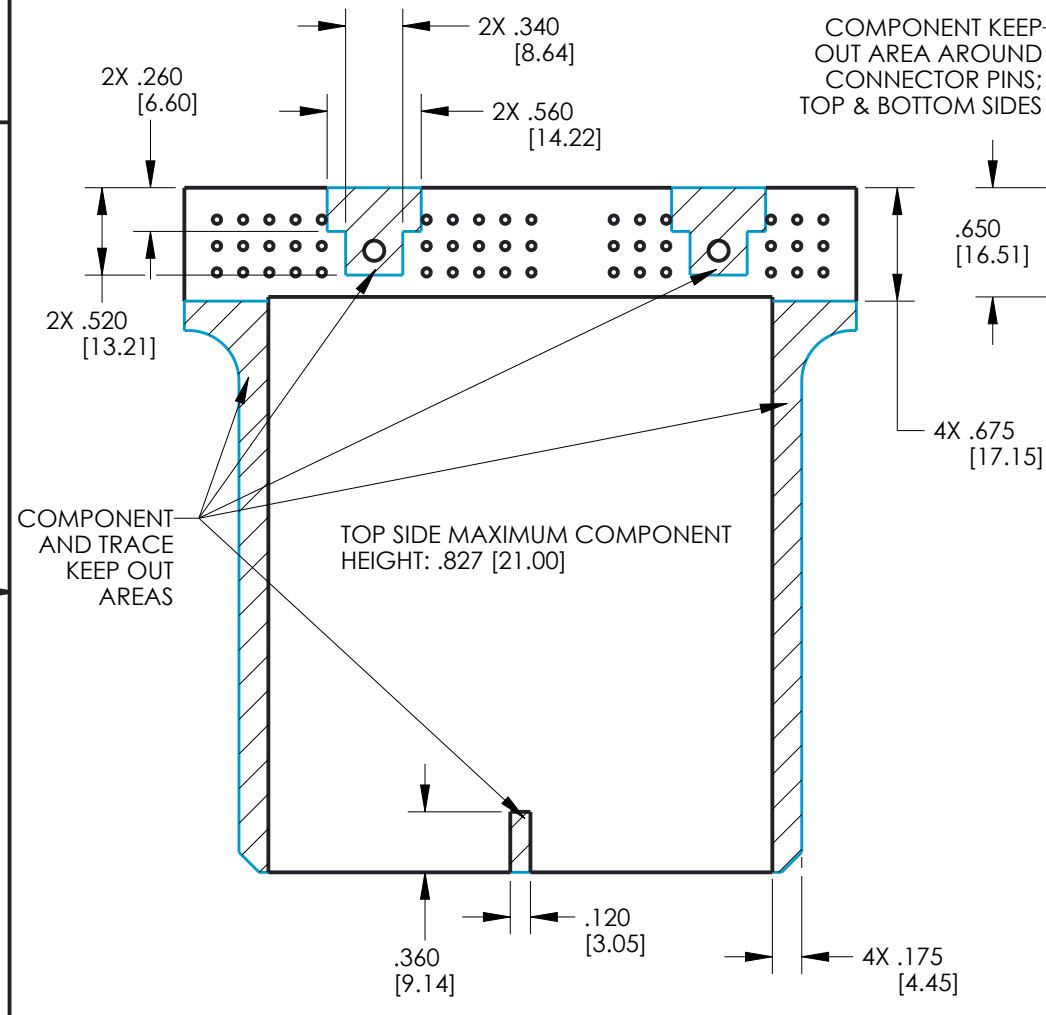
FOR PCB MOUNTING, #4 THREAD CUTTING SCREWS (TYPE 23 OR SIMILAR) ARE RECOMMENDED; TORQUE TO 2-3 IN\*LBS [0.23-0.34Nm]

UNITS <b>ENGLISH INCHES</b>	<b>CINCH</b>		1700 FINLEY RD LOMBARD, IL. 60148
DO NOT SCALE DRAWING	TITLE 48-WAY HEADERS MODICE ME		
<b>CONFIDENTIAL</b> THIS DOCUMENT IS THE PROPERTY OF CINCH. NEITHER THIS DOCUMENT NOR ANY OF THE INFORMATION CONTAINED IN IT MAY BE DUPLICATED OR DISCLOSED WITHOUT PRIOR WRITTEN CONSENT OF CINCH. ©COPYRIGHT 2009 CINCH	DRAWING NUMBER <b>5810148009S</b>		REV <b>C</b>
	CAD FILE NUMBER 5810148009S	SCALE 1:1	
	CAGE IDENT NO. 71785	SIZE B	SHEET 2 OF 3
	SHEET 2 OF 3		

**PCB TOP SIDE GENERAL ZONING AND KEEP-OUT AREAS**

**PCB BOTTOM SIDE GENERAL ZONING AND KEEP-OUT AREAS**

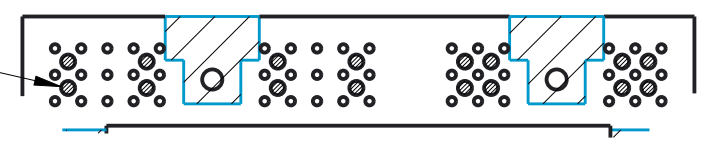
**PCB OVERALL DIMENSIONS AND HOLE LOCATIONS**



**RECOMMENDED PCB LENGTH**

DIM. "A" (SEE DRAWING)	USE WITH ENCLOSURE	
	PART NUMBER	DESCRIPTION
4.075±0.015 [103.53±0.38]	581 01 30 065	ME
	581 01 30 075	ME WITH BREATHER
2.375±0.015 [60.33±0.38]	581 01 30 090	MINI ME
	581 01 30 095	MINI ME WITH BREATHER

FERRITE SPACER FEET TRACE KEEP OUT AREAS (16 PLACES) SEE NOTE 5



**PCB TOP SIDE PIN AREA WITH FERRITES DETAIL**

UNITS <b>ENGLISH INCHES</b>	<b>CINCH</b>	1700 FINLEY RD LOMBARD, IL. 60148
DO NOT SCALE DRAWING	TITLE 48-WAY HEADERS MODICE ME	
<b>PRO/E DRAWING</b>		
CONFIDENTIAL THIS DOCUMENT IS THE PROPERTY OF CINCH. NEITHER THIS DOCUMENT NOR ANY OF THE INFORMATION CONTAINED IN IT MAY BE DUPLICATED OR DISCLOSED WITHOUT PRIOR WRITTEN CONSENT OF CINCH. ©COPYRIGHT 2009 CINCH	CAD FILE NUMBER 5810148009S	DRAWING NUMBER <b>5810148009S</b>
CAGE IDENT NO. 71785	SIZE B	SCALE 7:8
		REV C
		SHEET 3 OF 3