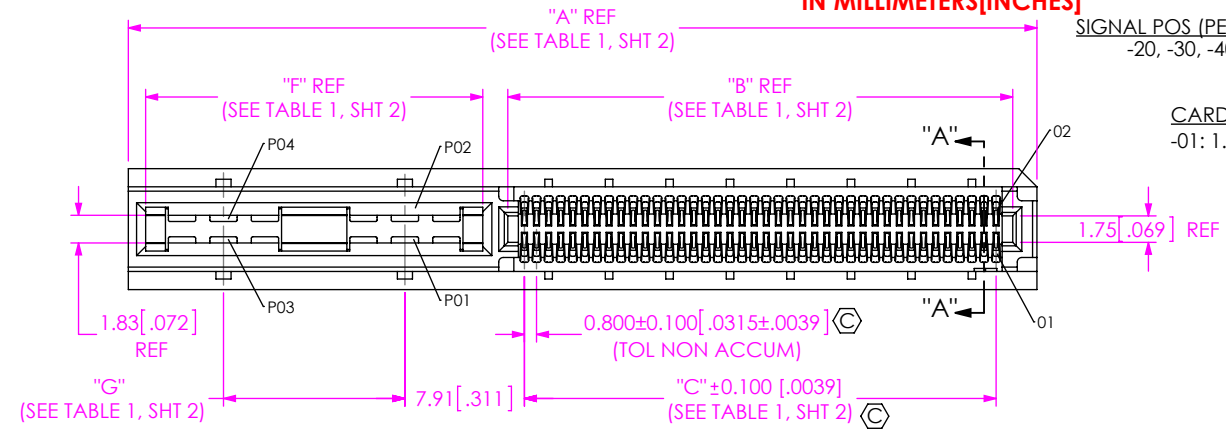


DO NOT SCALE FROM THIS PRINT

DESIGNED & DIMENSIONED IN MILLIMETERS [INCHES]

HSEC8-1XX-XX-X-PV-X-X-XX



SIGNAL POS. (PER ROW)  
-20, -30, -40

CARD THICKNESS  
-01: 1.57 [.062] CARD

OPTION  
-WT: WELD TAB

POWER TAIL LENGTH  
-1: 1.57 [.062] PCB THICKNESS  
-2: 2.36 [.093] PCB THICKNESS (SEE TABLE 2, SHT 2)

POWER POS. (TOTAL)  
-2, -4

ROW SPECIFICATIONS  
POWER VERTICAL

PLATING SPECIFICATION  
-L: 10µ" SELECTIVE GOLD IN CONTACT AREA, MATTE TIN ON TAIL  
-S: 30µ" SELECTIVE GOLD IN CONTACT AREA, MATTE TIN ON TAIL

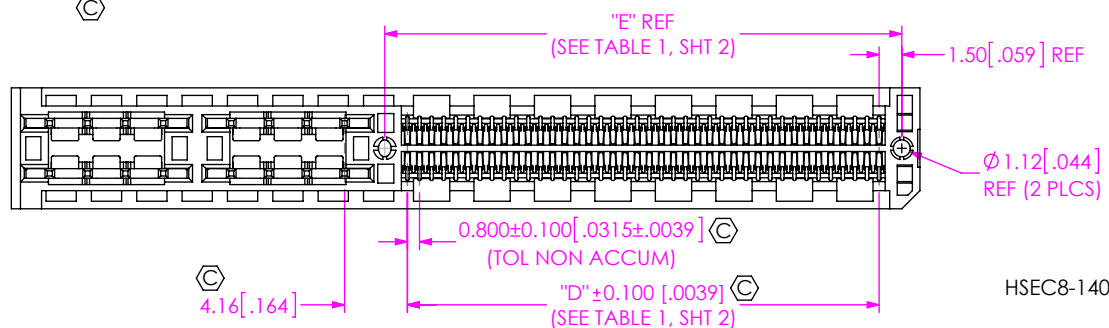
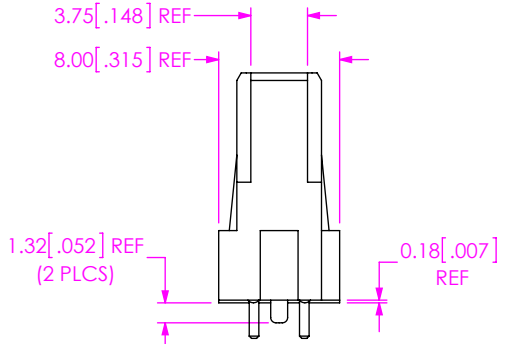
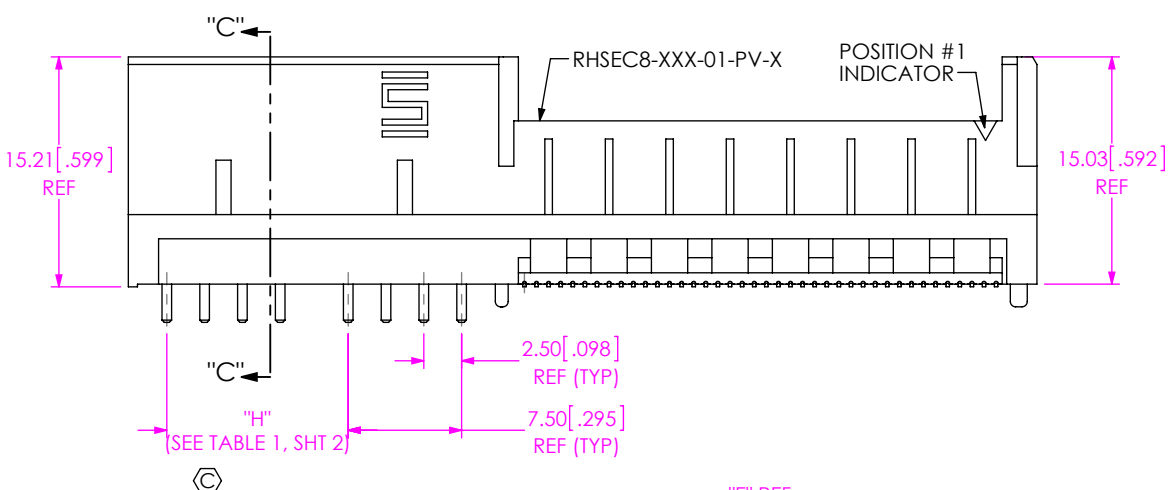
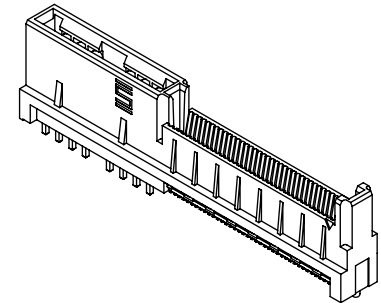


FIG 1  
HSEC8-140-01-X-PV-4-1 SHOWN



NOTES:

- ⊗ REPRESENTS A CRITICAL DIMENSION.
- BURR ALLOWANCE: 0.15 [.006] MAX.
- MINIMUM PUSHOUT FORCE: SIGNAL: 0.5 LBS, POWER PIN: 3.0 LBS.
- THESE DIMENSIONS MEASURED TIP TO TIP.
- ASSEMBLIES TO BE PACKAGED IN TRAYS.
- MATING EDGE CARD THICKNESS TOLERANCE TO BE ±0.15 [.006] OF NOMINAL.
- MATING CARD MUST HAVE LEAD-IN. SEE SAMTEC FOOTPRINT FOR SPECIFICATIONS.
- COPLANARITY MEASUREMENT INCLUDES STANDOFF.
- NOT RECOMMENDED FOR INVERTED REFLOW SOLDER.

UNLESS OTHERWISE SPECIFIED, DIMENSIONS ARE IN MILLIMETERS. TOLERANCES ARE:  
DECIMALS ANGLES  
X.X: ±0.3 [.01] 2°  
X.XX: ±0.13 [.005]  
X.XXX: ±0.051 [.0020]

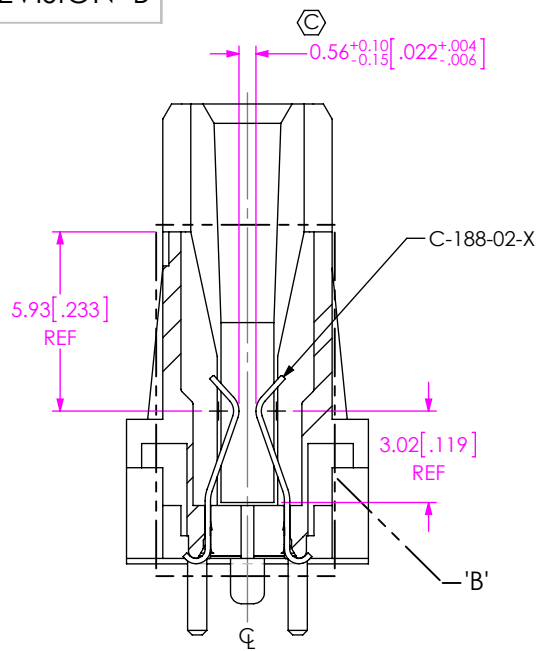
PROPRIETARY NOTE  
THIS DOCUMENT CONTAINS CONFIDENTIAL AND PROPRIETARY INFORMATION AND ALL DESIGN, MANUFACTURING, REPRODUCTION, USE, PATENT RIGHTS AND SALES RIGHTS ARE EXPRESSLY RESERVED BY SAMTEC, INC. THIS DOCUMENT SHALL NOT BE DISCLOSED, IN WHOLE OR PART, TO ANY UNAUTHORIZED PERSON OR ENTITY NOR REPRODUCED, TRANSFERRED OR INCORPORATED IN ANY OTHER PROJECT IN ANY MANNER WITHOUT THE EXPRESS WRITTEN CONSENT OF SAMTEC, INC.

MATERIAL: DO NOT SCALE DRAWING SHEET SCALE: 2:1  
INSULATOR: LCP, UL 94 V0, COLOR: BLACK  
SIGNAL CONTACT: BeCu  
POWER CONTACT: PHOS BRONZE



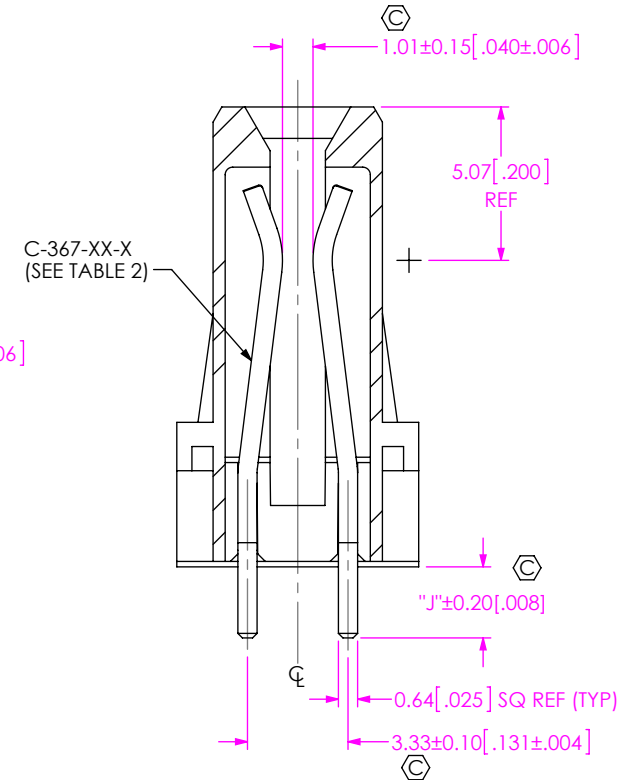
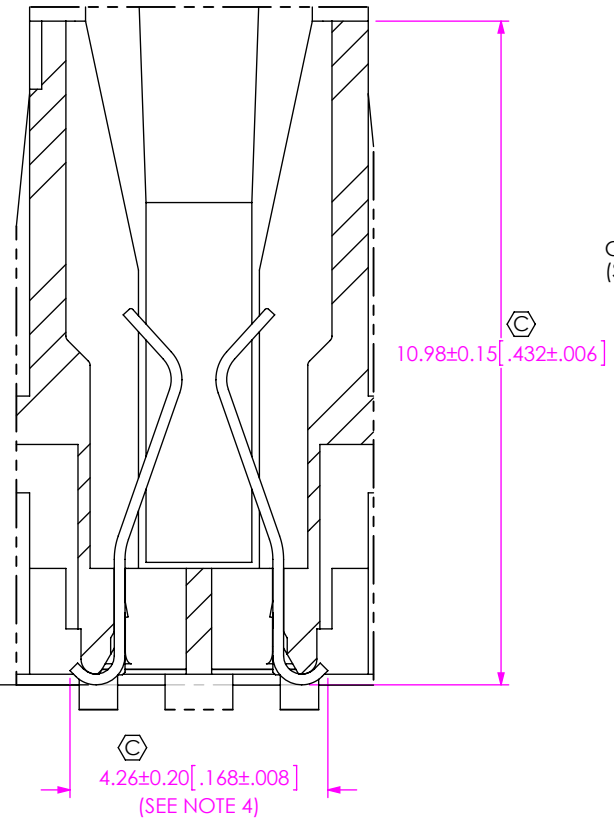
520 PARK EAST BLVD, NEW ALBANY, IN 47150  
PHONE: 812-944-6733 FAX: 812-948-5047  
e-Mail: info@SAMTEC.com code 53322

DESCRIPTION:	HSEC8 MIXED POWER & SIGNAL ASSEMBLY	
DWG. NO.	HSEC8-1XX-XX-X-PV-X-X-XX	
BY: JESSIE W	10/21/2013	SHEET 1 OF 4



SECTION "A"-"A"  
SCALE 4 : 1  
ROTATED 90°

0.102 [0.0040]  
(SEE NOTE 8)



DETAIL 'B'  
SCALE 8 : 1

TABLE 1

PART NUMBER	"A"	"B"	"C"	"D"	"E"	"F"	"G"	"H"
HSEC8-120-01-X-PV-2-X-XX	32.10 [1.264]	17.40 [0.685]	15.200 [0.5984]	15.200 [0.5984]	18.20 [0.717]	10.30 [0.406]	N/A	N/A
HSEC8-130-01-X-PV-2-X-XX	40.10 [1.579]	25.40 [1.000]	23.200 [0.9134]	23.200 [0.9134]	26.20 [1.031]	10.30 [0.406]	N/A	N/A
HSEC8-140-01-X-PV-2-X-XX	48.10 [1.894]	33.40 [1.315]	31.200 [1.2283]	31.200 [1.2283]	34.20 [1.346]	10.30 [0.406]	N/A	N/A
HSEC8-120-01-X-PV-4-X-XX	44.10 [1.736]	17.40 [0.685]	15.200 [0.5984]	15.200 [0.5984]	18.20 [0.717]	22.30 [0.878]	12.00 [0.472]	12.00 [0.472]
HSEC8-130-01-X-PV-4-X-XX	52.10 [2.051]	25.40 [1.000]	23.200 [0.9134]	23.200 [0.9134]	26.20 [1.031]	22.30 [0.878]	12.00 [0.472]	12.00 [0.472]
HSEC8-140-01-X-PV-4-X-XX	60.10 [2.366]	33.40 [1.315]	31.200 [1.2283]	31.200 [1.2283]	34.20 [1.346]	22.30 [0.878]	12.00 [0.472]	12.00 [0.472]

TABLE 2

POWER TAIL LENGTH	"J"	C-367-XX-X
-1	2.35 [0.093]	C-367-02-X
-2	3.13 [0.123]	C-367-03-X

**PROPRIETARY NOTE**  
THIS DOCUMENT CONTAINS CONFIDENTIAL AND PROPRIETARY INFORMATION AND ALL DESIGN, MANUFACTURING, REPRODUCTION, USE, PATENT RIGHTS AND SALES RIGHTS ARE EXPRESSLY RESERVED BY SAMTEC, INC. THIS DOCUMENT SHALL NOT BE DISCLOSED, IN WHOLE OR PART, TO ANY UNAUTHORIZED PERSON OR ENTITY NOR REPRODUCED, TRANSFERRED OR INCORPORATED IN ANY OTHER PROJECT IN ANY MANNER WITHOUT THE EXPRESS WRITTEN CONSENT OF SAMTEC, INC.



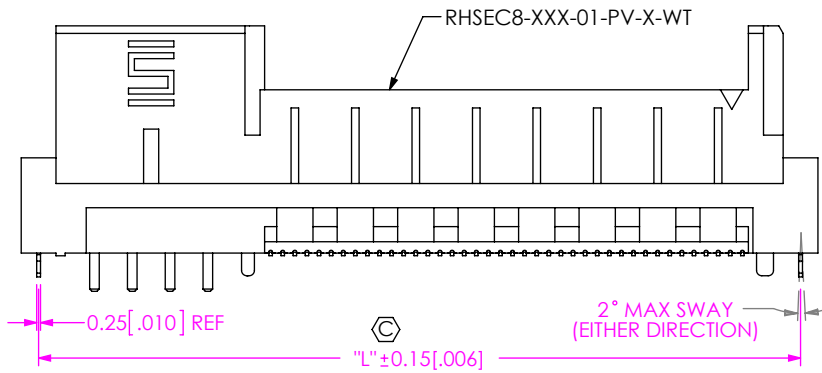
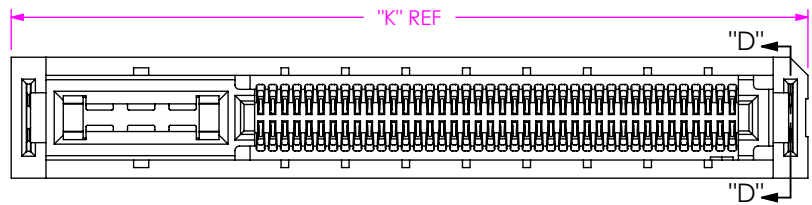
520 PARK EAST BLVD. NEW ALBANY, IN 47150  
PHONE: 812-944-6733 FAX: 812-948-5047  
e-Mail info@SAMTEC.com code 55322

DO NOT SCALE DRAWING  
SHEET SCALE: 2:1

DESCRIPTION:  
HSEC8 MIXED POWER & SIGNAL ASSEMBLY  
DWG. NO.

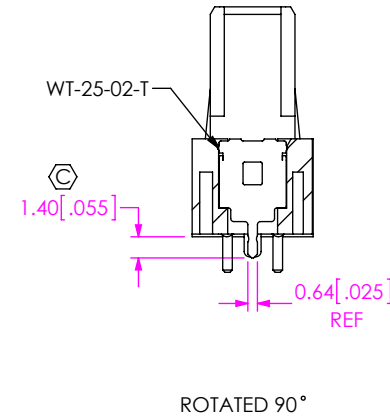
HSEC8-1XX-XX-X-PV-X-X-XX

BY: JESSIE W 10/21/2013 SHEET 2 OF 4

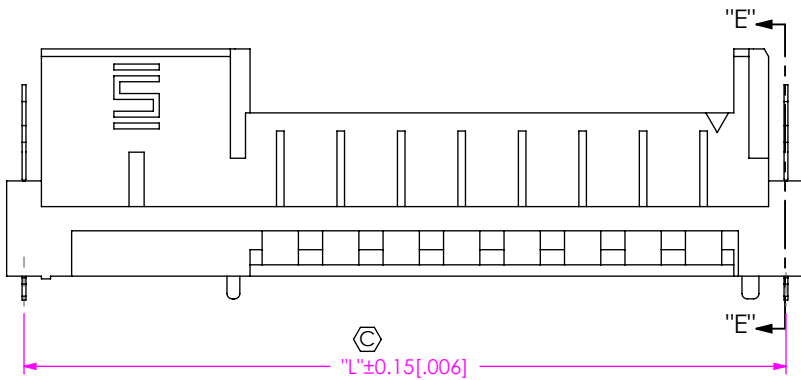


**FIG 2**  
HSEC8-140-01-X-PV-2-1-WT SHOWN  
(DIFFERENT AS SHOWN, OTHERWISE SAME AS FIG 1)

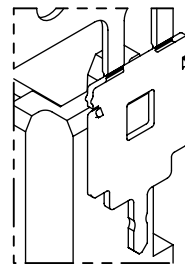
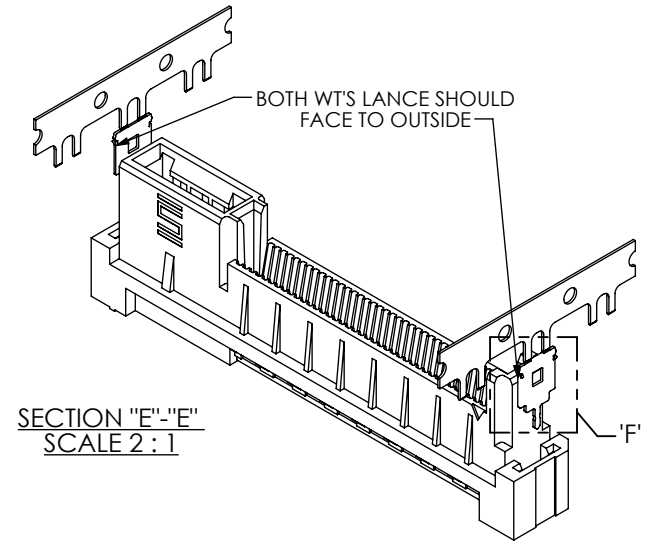
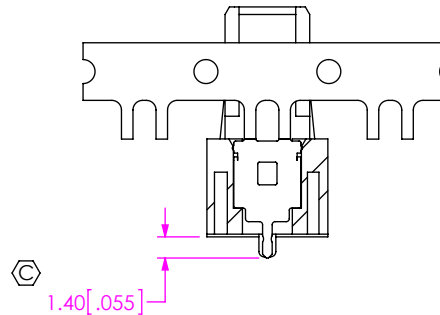
TABLE 3		
PART NUMBER	"K"	"L"
HSEC8-120-01-X-PV-2-X-WT	36.70 [1.445]	34.40 [1.354]
HSEC8-130-01-X-PV-2-X-WT	44.70 [1.760]	42.40 [1.669]
HSEC8-140-01-X-PV-2-X-WT	52.70 [2.075]	50.40 [1.984]
HSEC8-120-01-X-PV-4-X-WT	48.70 [1.917]	46.40 [1.827]
HSEC8-130-01-X-PV-4-X-WT	56.70 [2.232]	54.40 [2.142]
HSEC8-140-01-X-PV-4-X-WT	64.70 [2.547]	62.40 [2.457]



SECTION "D"  
SCALE 2:1



**IN-PROCESS 1**  
FILL WT-25-02-T  
(FOR -WT OPTION ONLY)



**DETAIL 'F'**  
SCALE 4:1

**PROPRIETARY NOTE**  
THIS DOCUMENT CONTAINS CONFIDENTIAL AND PROPRIETARY INFORMATION AND ALL DESIGN, MANUFACTURING, REPRODUCTION, USE, PATENT RIGHTS AND SALES RIGHTS ARE EXPRESSLY RESERVED BY SAMTEC, INC. THIS DOCUMENT SHALL NOT BE DISCLOSED, IN WHOLE OR PART, TO ANY UNAUTHORIZED PERSON OR ENTITY NOR REPRODUCED, TRANSFERRED OR INCORPORATED IN ANY OTHER PROJECT IN ANY MANNER WITHOUT THE EXPRESS WRITTEN CONSENT OF SAMTEC, INC.



520 PARK EAST BLVD, NEW ALBANY, IN 47150  
PHONE: 812-944-6733 FAX: 812-948-5047  
e-Mail info@SAMTEC.com code 55322

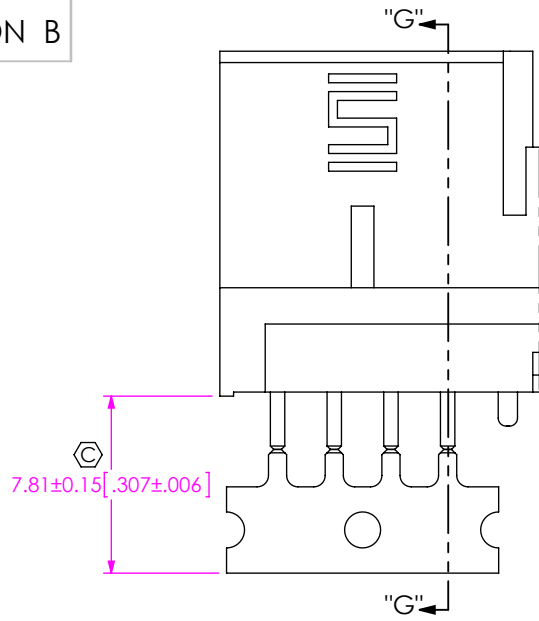
DO NOT SCALE DRAWING

SHEET SCALE: 3:1

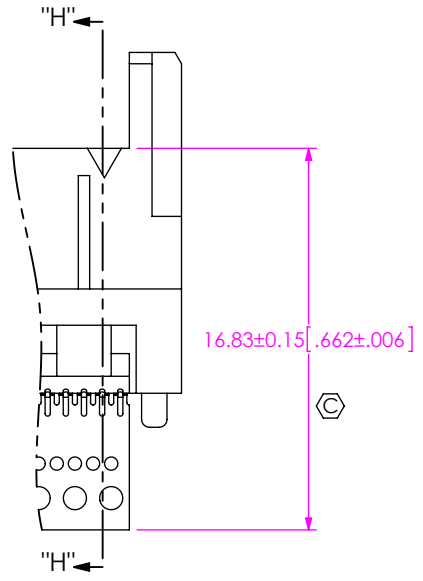
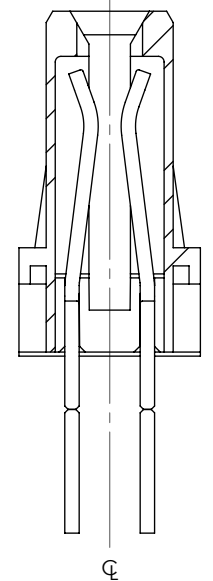
DESCRIPTION:  
HSEC8 MIXED POWER & SIGNAL ASSEMBLY

DWG. NO.  
HSEC8-1XX-XX-X-PV-X-X-XX

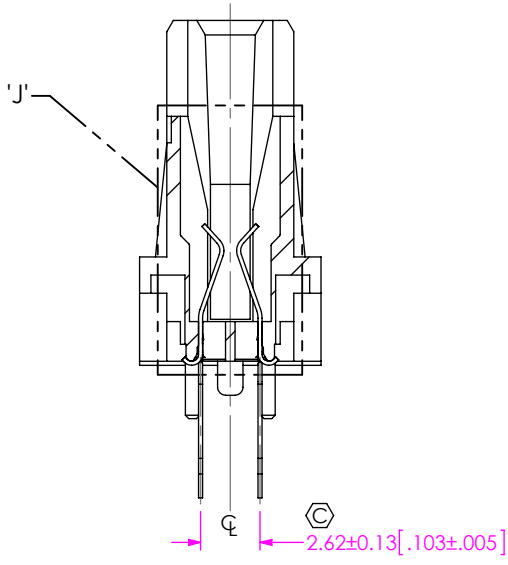
BY: JESSIE W 10/21/2013 SHEET 3 OF 4



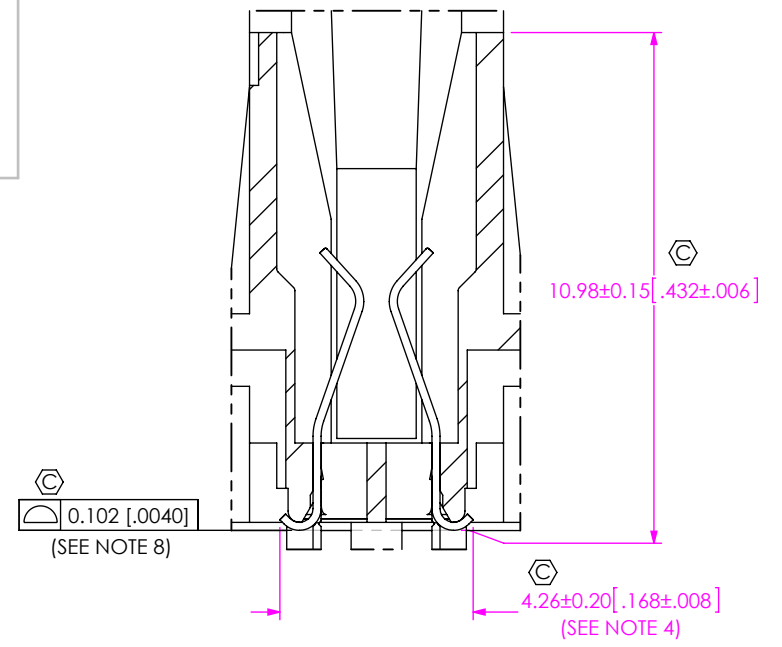
IN-PROCESS 2  
FILL C-367-XX-X



IN-PROCESS 3  
FILL C-188-02-X



SECTION "H"-"H"



**PROPRIETARY NOTE**  
 THIS DOCUMENT CONTAINS CONFIDENTIAL AND PROPRIETARY INFORMATION AND ALL DESIGN, MANUFACTURING, REPRODUCTION, USE, PATENT RIGHTS AND SALES RIGHTS ARE EXPRESSLY RESERVED BY SAMTEC, INC. THIS DOCUMENT SHALL NOT BE DISCLOSED, IN WHOLE OR PART, TO ANY UNAUTHORIZED PERSON OR ENTITY NOR REPRODUCED, TRANSFERRED OR INCORPORATED IN ANY OTHER PROJECT IN ANY MANNER WITHOUT THE EXPRESS WRITTEN CONSENT OF SAMTEC, INC.

**samtec**  
 520 PARK EAST BLVD. NEW ALBANY, IN 47150  
 PHONE: 812-944-6733 FAX: 812-948-5047  
 e-Mail info@SAMTEC.com code 55322

DO NOT SCALE DRAWING  
 SHEET SCALE: 3:1

DESCRIPTION:  
 HSEC8 MIXED POWER & SIGNAL ASSEMBLY  
 DWG. NO.  
**HSEC8-1XX-XX-X-PV-X-X-XX**  
 BY: JESSIE W 10/21/2013 SHEET 4 OF 4