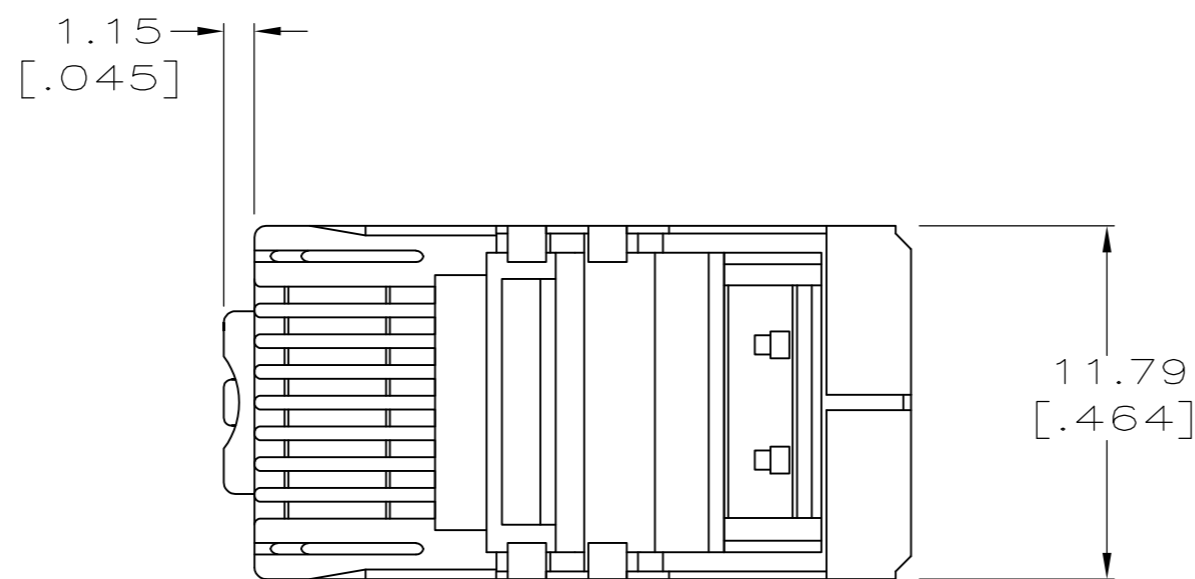


THIS DRAWING IS UNPUBLISHED. RELEASED FOR PUBLICATION
 © COPYRIGHT - By - ALL RIGHTS RESERVED.

LOC	DIST	REVISIONS					
HM	00	P	LTR	DESCRIPTION	DATE	DWN	APVD
		F		REV PER ECO-12-012918	09JUL2012	JM	JG



1. DIMENSIONS ARE MAXIMUM UNLESS OTHERWISE SPECIFIED.

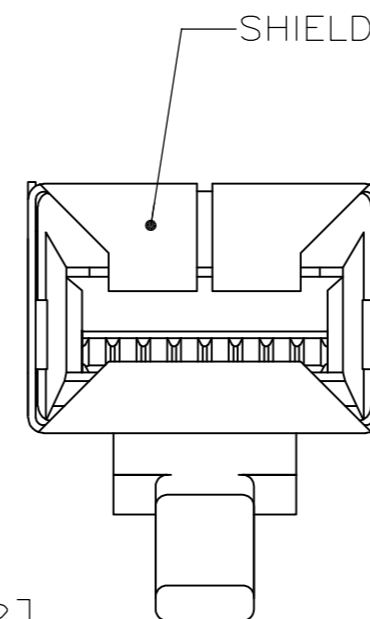
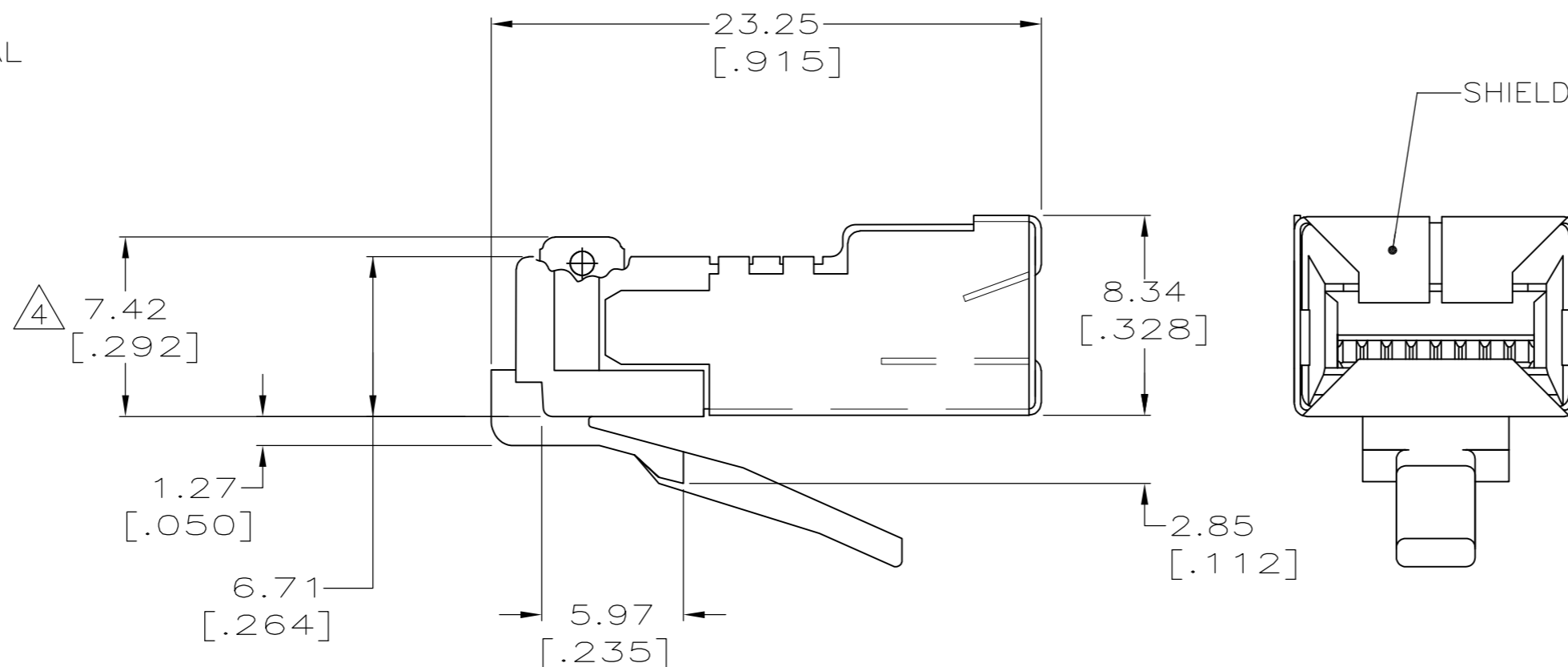
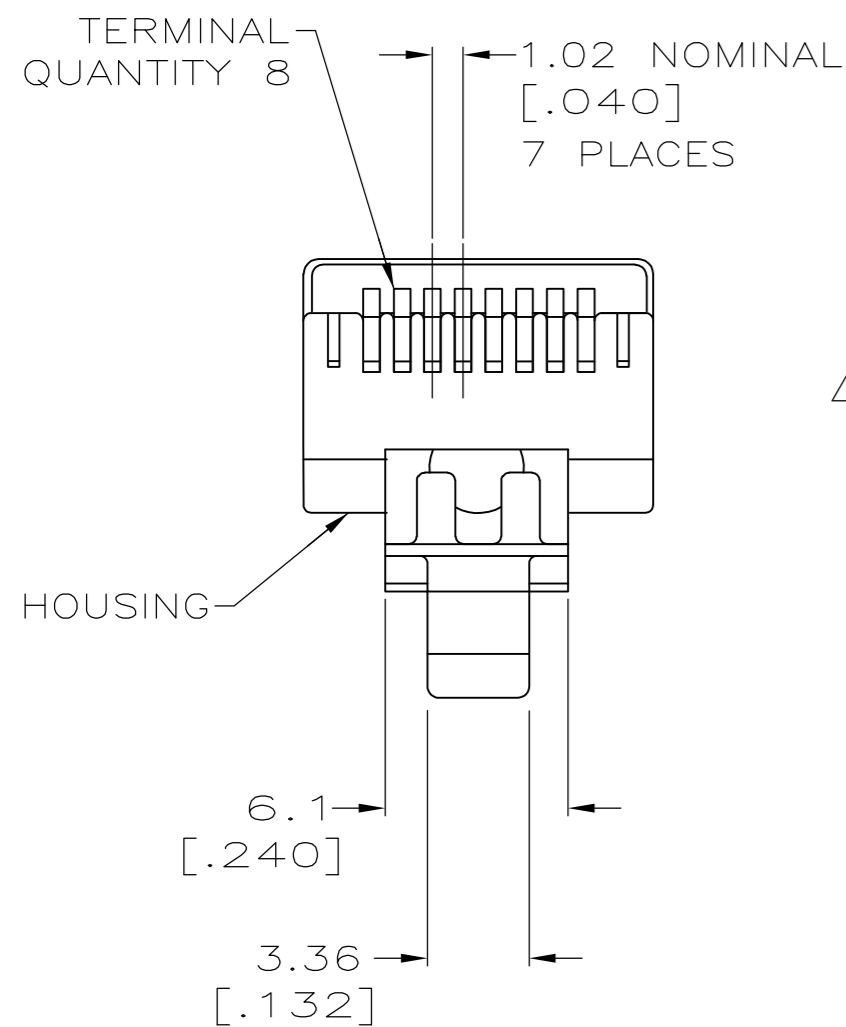
2. MATERIAL: HOUSING - POLYCARBONATE, CLEAR
 TERMINAL - PHOSPHOR BRONZE, PLATED WITH 1.27μm [.000050] MINIMUM THICK GOLD IN LOCALIZED GOLD PLATE AREA, OVER 2.54μm [.000100] MINIMUM THICK NICKEL UNDERPLATE.
 SHIELD - COPPER ALLOY WITH 1.27μm [.000050] MINIMUM SEMI-BRIGHT (SATIN) NICKEL.

3. PLUG WILL ACCEPT 24 TO 28 AWG STRANDED WIRE, 0.74-0.99 [.029-.039] DIAMETER, WITH A 2.80 X 9.02 [.110 X .355] MAXIMUM JACKET.

4. TERMINATED DIMENSION 6.15 [.242] MAXIMUM.

5. 500 ASSEMBLIES PER PACKAGE.

6. 100 ASSEMBLIES PER PACKAGE.



6	5-569542-3
5	5-569542-2
PACKAGED	PART NUMBER

THIS DRAWING IS A CONTROLLED DOCUMENT.		DWN	G. GARRETT	10-10-95		TE Connectivity		
DIMENSIONS: mm [INCHES]		CHK	C. WHITT	10-30-95		MODULAR PLUG ASSEMBLY, 8 POSITION, SHIELDED, FLAT OVAL CABLE, STRANDED WIRE		
TOLERANCES UNLESS OTHERWISE SPECIFIED:		APVD	E. LAURER	11-6-95		SIZE	CAGE CODE	DRAWING NO
0 PLC ± - 1 PLC ± - 2 PLC ± - 3 PLC ± - 4 PLC ± - ANGLES ± - FINISH ± -		PRODUCT SPEC	108-1163	114-6016		A2	00779	C=569542
MATERIAL -		APPLICATION SPEC	114-6016	WEIGHT -	CUSTOMER DRAWING		RESTRICTED TO -	
		SCALE 4:1		SHEET 1 of 1		REV F		