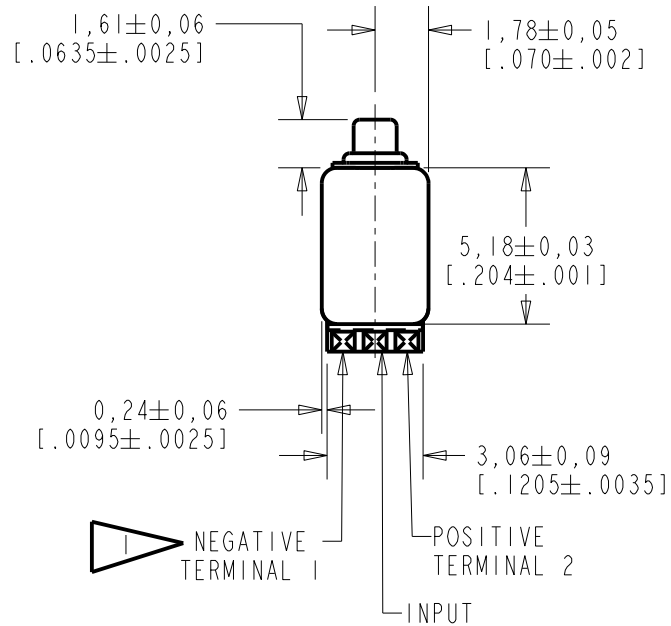
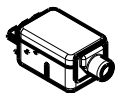
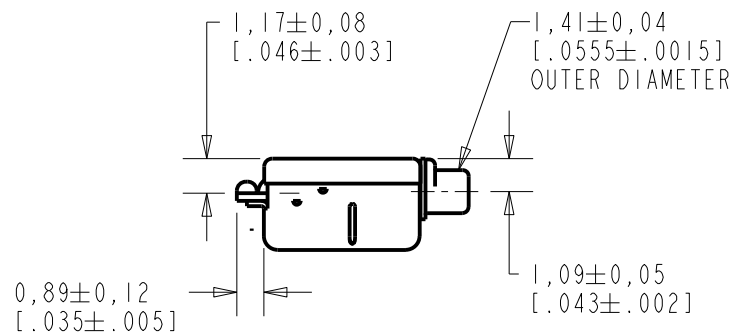
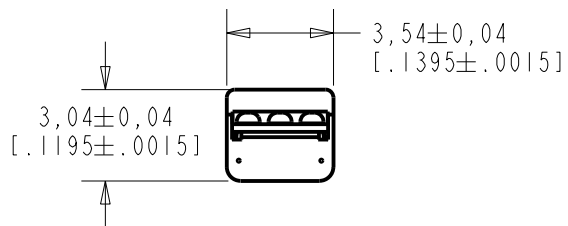


**ES-23127-000**  
SHT 1.1



NOTE:  
 A POSITIVE GOING VOLTAGE AT THE INPUT TERMINAL, CAUSES A DECREASE IN PRESSURE AT THE SOUND OUTLET.

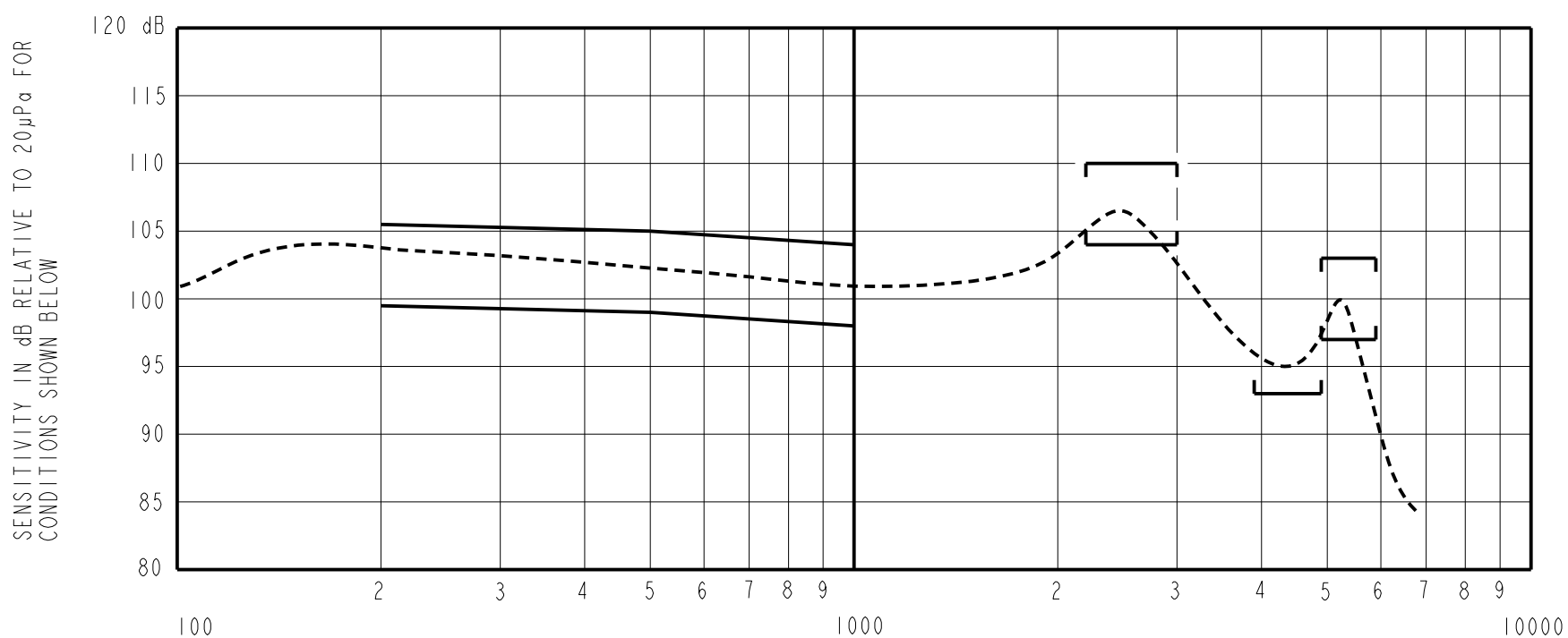


SCALE 2:1  
 NOMINAL WEIGHT .23 GRAMS  
 DIMENSIONS IN MILLIMETERS [INCHES]

Revision	C.O. #	Implementation Date	RELEASE LEVEL	REVISION
B	C10114036	11-13-12	Active	B
A	C10103509	12-13-05		

SCALE: 4:1		DR. BY: AB	DATE: 12-13-05
DO NOT SCALE DRAWING			
TITLE: RECEIVER		ES-23127-000	
OUTLINE DRAWING		SHT 1.1	
		APP. BY: GJP	DATE: 12-21-05
		APP. BY: GJP	DATE: 12-21-05

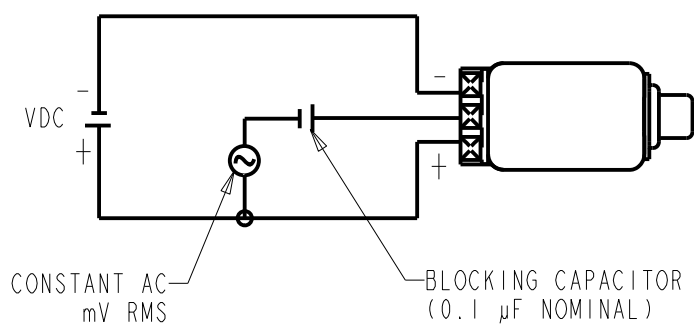
**KNOWLES ELECTRONICS**  
 ITASCA, ILLINOIS U.S.A.



NOTES:

FREQUENCY IN HERTZ

- MEASUREMENTS MADE USING 10mm (.394") OF 1mm (.039") ID TUBE CONNECTED TO A SIMULATED ANSI S3.7 TYPE HA-3 COUPLER. (IEC 60318-5)
- ELECTRICAL SIGNAL (SEE #5 BELOW).



FREQUENCY	SENSITIVITY	
	MIN.	MAX.
200	99.5	105.5
500	99.0	105.0
1000	98.0	104.0
2200-3000	104.5	110.5
3900-4900	93.0	---
4900-5900	97.0	103.0

- RESPONSE AND DISTORTION MEASUREMENTS MADE USING THE ELECTRICAL TEST CONDITIONS SHOWN BELOW.
- INDIVIDUAL SPECIFICATIONS.

PORT LOCATION	MAX. DC SUPPLY CURRENT, mA		DISTORTION		ELECTRICAL TEST CONDITIONS	
	VDC= 1.3	VDC= 1.5	MAX. %	FREQ Hz	CONSTANT AC mV RMS	VDC
12C	0.375	0.575	5	800	25	1.3

Revision	C.O. #	Implementation Date	RELEASE LEVEL	REVISION
B	C10114036	11-13-12	Active	B
A	C10103509	12-13-05		

**KNOWLES ELECTRONICS**  
ITASCA, ILLINOIS U.S.A.

WHEN TEST LIMITS ARE USED TO ESTABLISH INCOMING INSPECTION ACCEPTANCE/REJECTION CRITERIA, CORRELATION OF TEST EQUIPMENT WITH KNOWLES IS ALSO REQUIRED FOR ELIMINATION OF EQUIPMENT AND TEST METHOD VARIATION

TITLE: **RECEIVER**  
PERFORMANCE SPECIFICATION

**ES-23127-000**  
SHT 2.1

DR. BY	DATE
AB	12-13-05
CK. BY	DATE
GJP	12-21-05
APP. BY	DATE
GJP	12-21-05