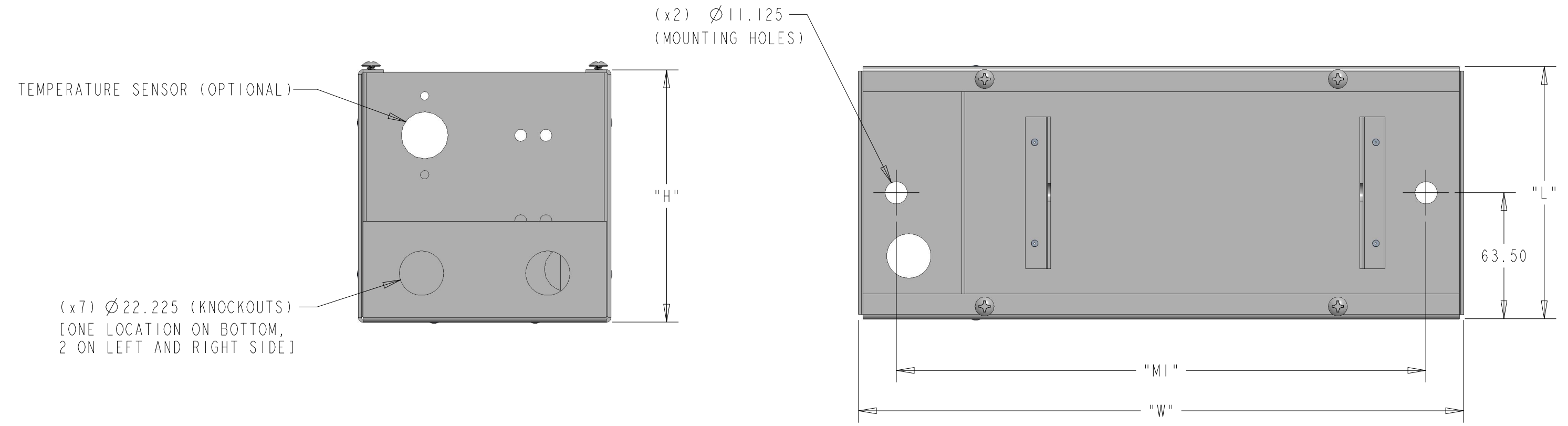
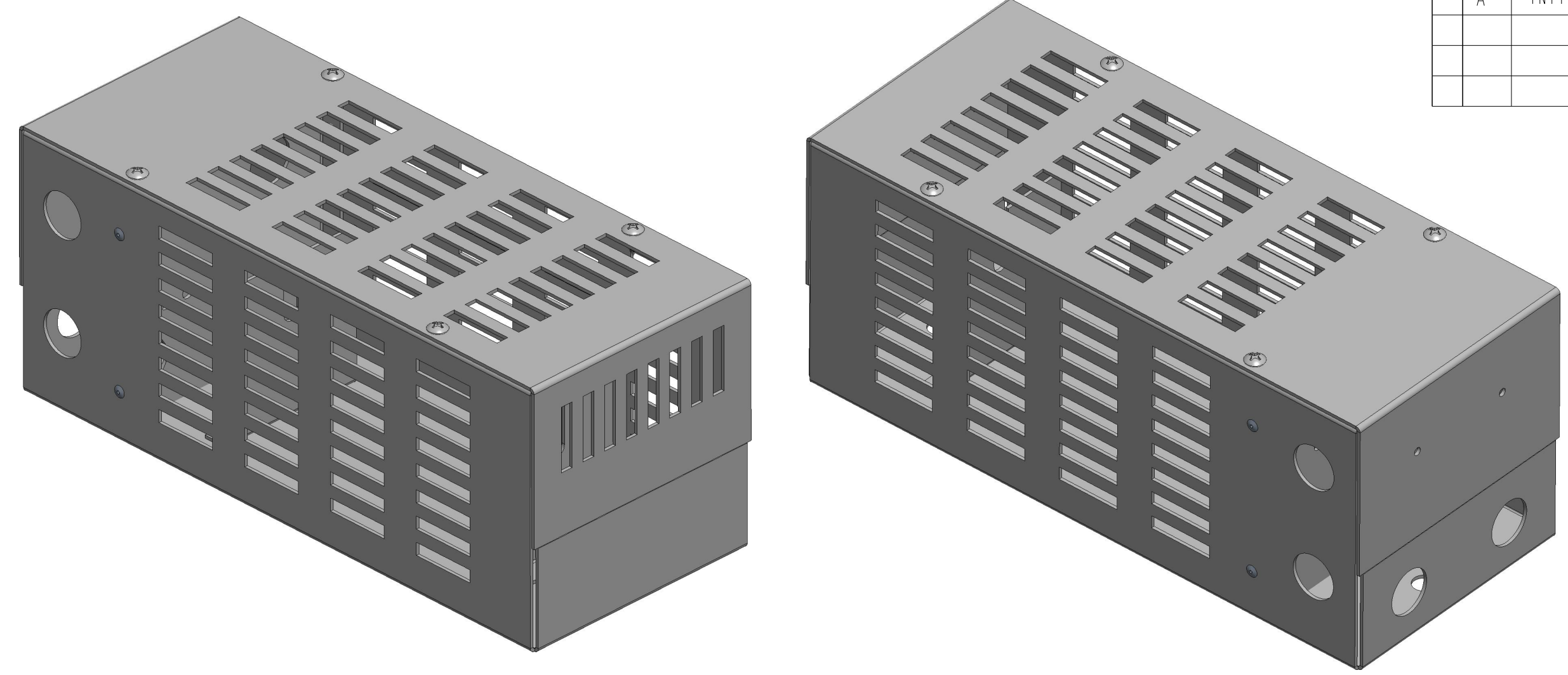


REVISIONS				
P	LTR	DESCRIPTION	DATE	APVD
A		INITIAL RELEASE	07OCT2021	KS AP



PART NUMBER	W (mm)	L (mm)	H (mm)	MI (mm)	TOTAL RESISTANCE	H.P.	DUTY CYCLE	DRIVE VOLTAGE	BRAKING TORQUE
HPBA005C1K5050E	305	127	127	267	1500 Ohms ± 10%	0.5	50%	460 V	100%

NOTE:
1. FOR FURTHER TECHNICAL INFORMATION PLEASE SEE THE DATASHEET FOR THE HPBA SERIES

THIS DRAWING IS A CONTROLLED DOCUMENT.		DWN S. KARTHIC 06-09-2021	TE Connectivity	
DIMENSIONS: mm		CHK ALLAN PILE 06-09-2021		
TOLERANCES UNLESS OTHERWISE SPECIFIED:		APVD ALLAN PILE 06-09-2021	NAME BRAKING RESISTOR ASSEMBLY TYPE HPBA SERIES HPBA005C1K5050E	
0 PLC ± 1 PLC ± 2 PLC ±0.50 3 PLC ±0.500 4 PLC ± ANGLES ± FINISH -		PRODUCT SPEC -	SIZE A2	RESTRICTED TO -
MATERIAL		APPLICATION SPEC -	CAGE CODE 00779	DRAWING NO C-2-2176470-1
		WEIGHT -	SCALE 1:2	SHEET 1 OF 2
		CUSTOMER DRAWING	REV A	

4

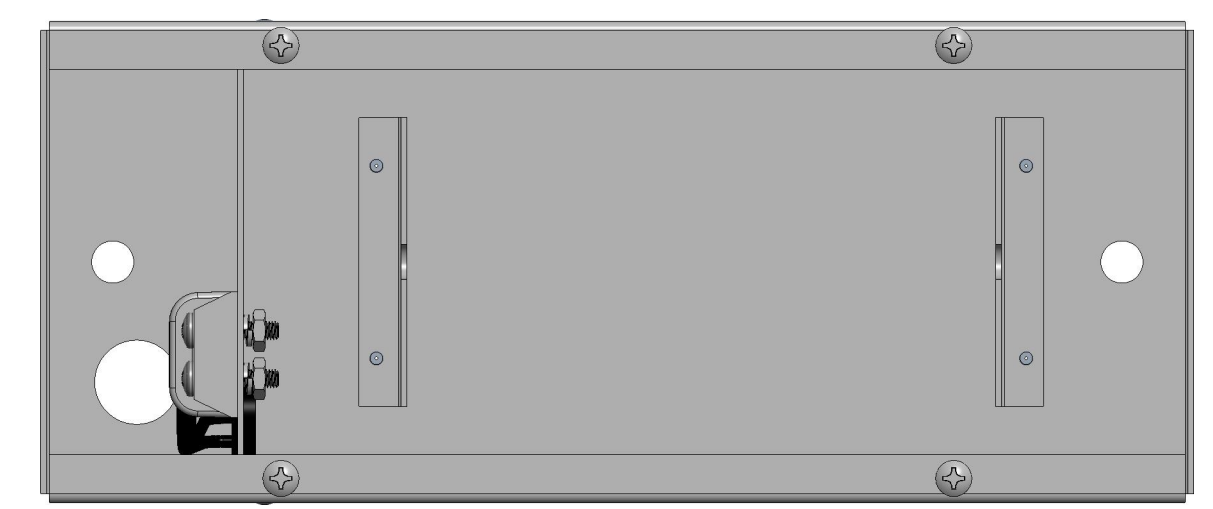
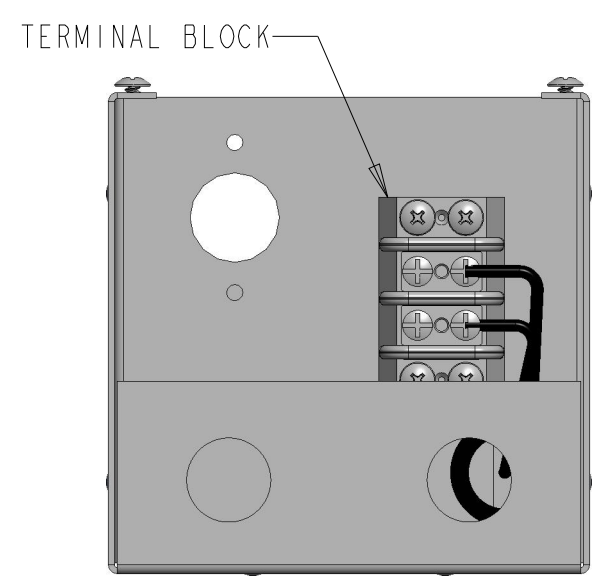
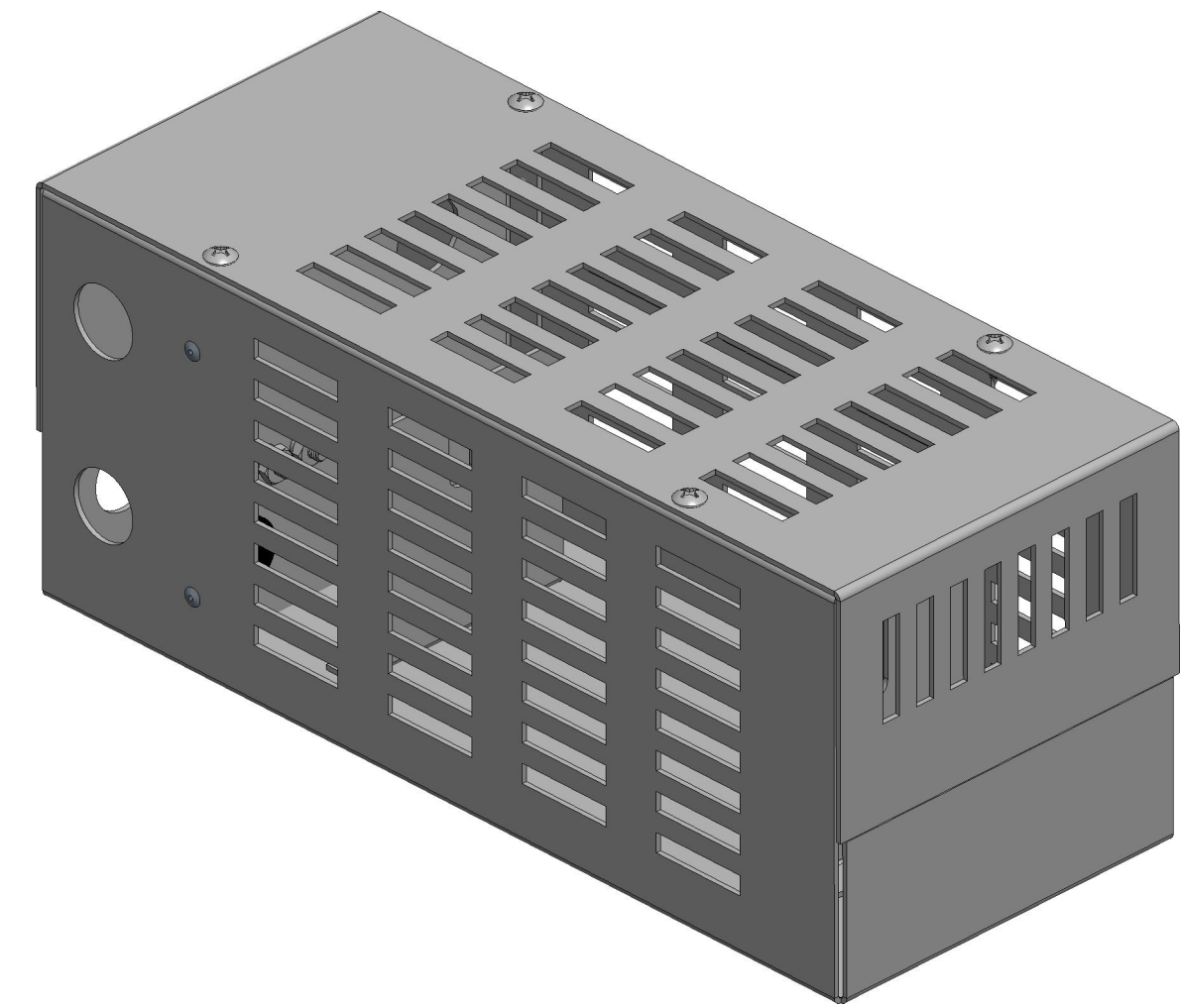
3


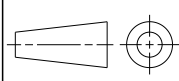
2

1

© 2021 TE Connectivity. All Rights Reserved.

REVISIONS				
P	LTR	DESCRIPTION	DATE	APVD
		SEE SHEET 1		



THIS DRAWING IS A CONTROLLED DOCUMENT.		DWN S. KARTHIK 06-09-2021	 TE Connectivity	
DIMENSIONS: mm		CHK ALLAN PILE 06-09-2021		
TOLERANCES UNLESS OTHERWISE SPECIFIED:		APVD ALLAN PILE 06-09-2021	NAME BRAKING RESISTOR ASSEMBLY TYPE HPBA SERIES HPBA005CIK5050E	
		PRODUCT SPEC -	RESTRICTED TO -	
MATERIAL		APPLICATION SPEC -	SIZE A2	CAGE CODE 00779
FINISH -		WEIGHT -	DRAWING NO C-2-2176470-1	
		CUSTOMER DRAWING	SCALE 1:2	SHEET 2 OF 2
			REV A	