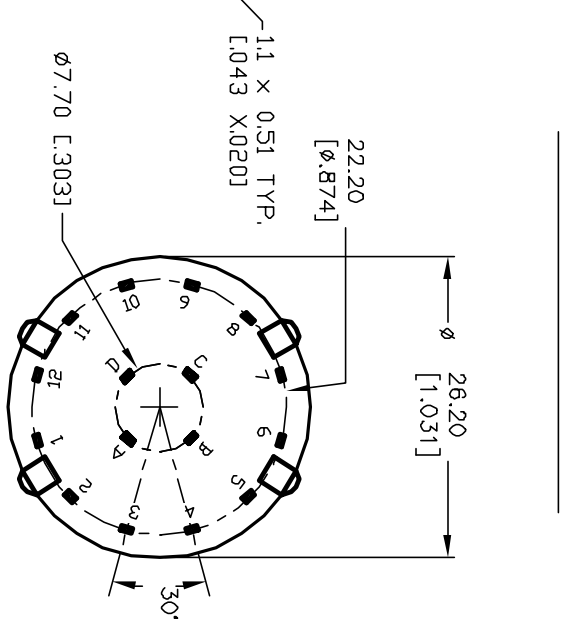
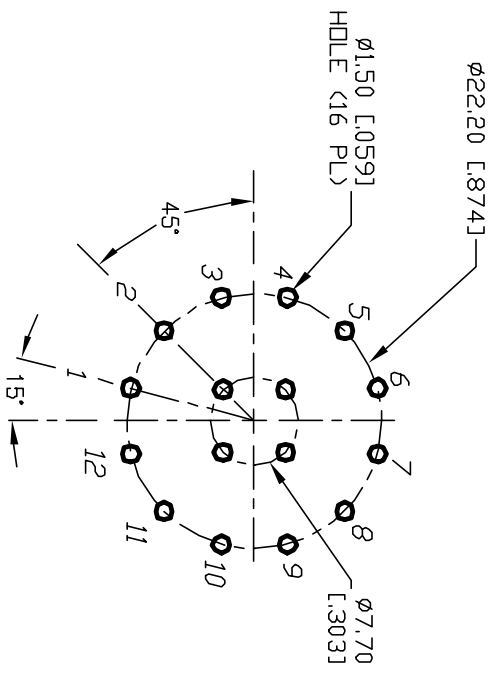
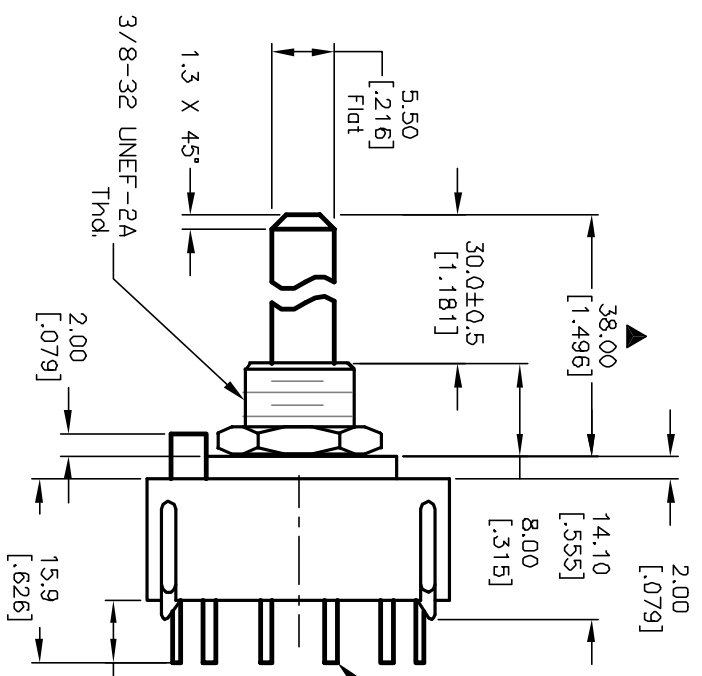
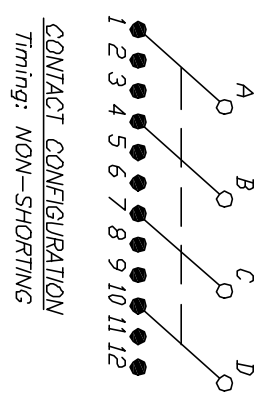
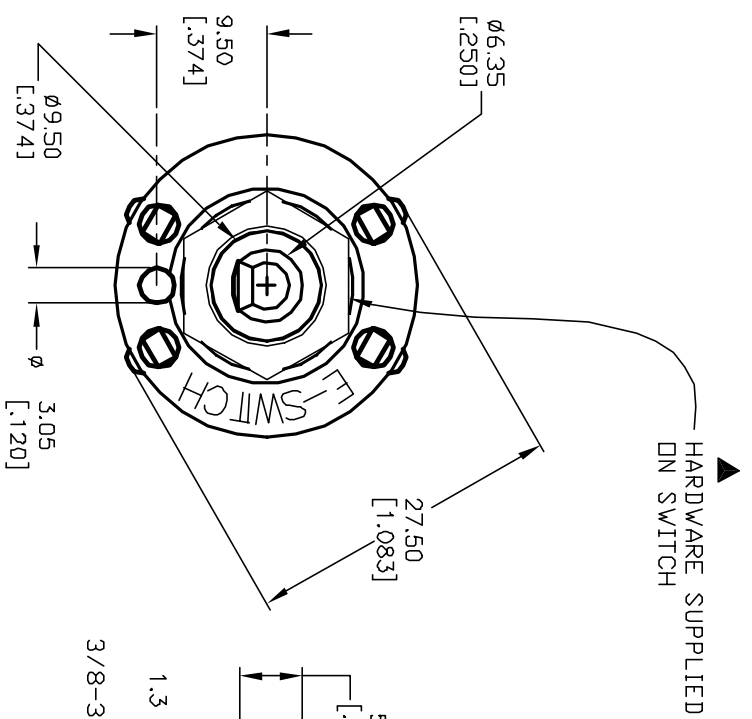


- NOTES:
1. ALL DIMENSION IN MM [INCH]
 2. GENERAL TOLERANCE: X.X=±0.4
X.XX=±0.25
 3. TERM. NOS. FOR REF. ONLY
 4. CONTACT RATING SWITCHING: 150mA, 250V AC/DC
350mA, 110V AC/DC
 5. OPERATING FORCE: 425±100 CM/STANDARD
 6. OPERATING TEMP: -30° to 85°C
 7. CIRCUIT 4 Pole; 3 POSITIONS, 30° INDEX.
 8. DIELECTRIC STRENGTH: 1000V RMS min.@SEA LEVEL.
 9. DESIGNATE MAJOR DIMENSIONS
 10. HARDWARE SUPPLIED ON SWITCH -SEE BELOW
LOCKING RING, LOCKWASHER, & HEX NUT.



| | | | | | | | | | |
|------|--|---------|-------------------------|---------|------|-------|--|---------------------------|--|
| B | | 12821 | REV DESC PER NEWCATALOG | 2/19/03 | CJB | TITLE | | KC-43-A-(30.0mm) 01-N-P-S | |
| A | | 11516 | RELEASED FOR PRODUCTION | 5/29/01 | CJB | SCALE | | 1.5:1 | |
| REV. | | ECN No. | DESCRIPTION | DATE | CHKD | DATE | | 5/29/01 | |
| | | | | | | DR | | CJB | |
| | | | | | | DWG | | G510470 | |
| | | | | | | REV | | B | |

THE INFORMATION CONTAINED IN THIS DOCUMENT IS PROPRIETARY TO E-SWITCH AND IS NOT TO BE COPIED OR TRANSFERRED

E-SWITCH®