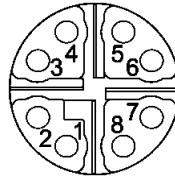


har-speed M12 PCB adapter X-coded



Mating face



X-coding
Mating face
acc. to IEC 61076-2-101



Identification

Part No.

Drawing

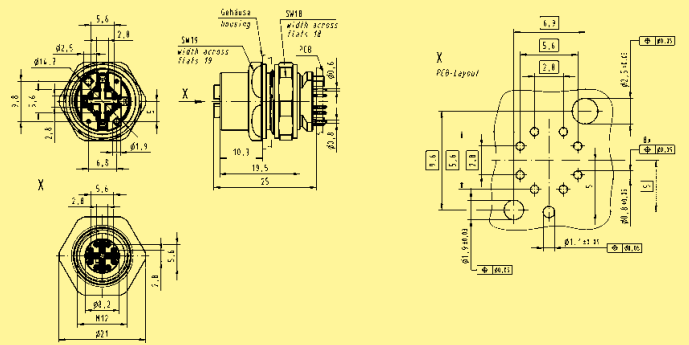
Dimensions in mm

har-speed M12 PCB adapter

Female, X-coding, straight, Cat. 6_A for front mounting



21 03 381 2802

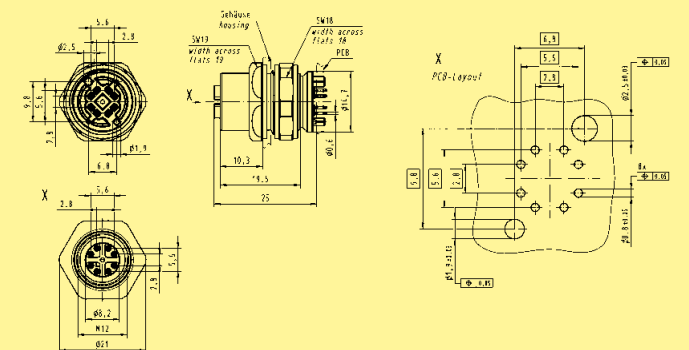


har-speed M12 PCB adapter

Female, X-coding, straight, Cat. 5 for front mounting



21 03 381 2803



har-speed M12 PCB adapter

Female, X-coding, angled, Cat. 6_A for front mounting



21 03 381 4802

