

Features

- AEC-Q101 Qualified
- V_Z – tolerance: $\pm 5\%$
- For Surface Mount Applications
- Halogen Free. “Green” Device (Note 1)
- Moisture Sensitivity Level 1
- Epoxy Meets UL 94 V-0 Flammability Rating
- Lead Free Finish/RoHS Compliant (Note2) (“P” Suffix designates RoHS Compliant. See Ordering Information)

Maximum Ratings

- Operating Junction Temperature Range: -65°C to $+150^{\circ}\text{C}$
- Storage Temperature Range: -65°C to $+150^{\circ}\text{C}$
- Thermal Resistance : 100°C/W Junction to Ambient
- Thermal Resistance : 75°C/W Junction to Lead

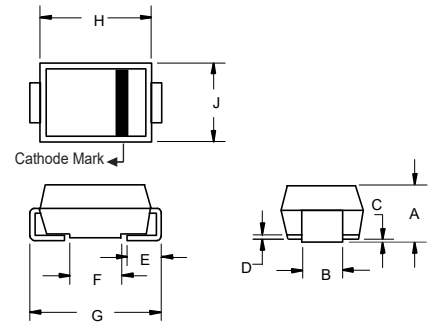
Parameter	Symbol	Rating	Conditions
Power Dissipation	P_D	1.0W	$T_A \leq 50^{\circ}\text{C}$
Zener Current	I_Z	P_d/V_z mA	
Maximum Forward Voltage	V_F	1.2V	$I_F = 100\text{mA}$

Note:

1. Halogen free “Green” products are defined as those which contain $<900\text{ppm}$ bromine, $<900\text{ppm}$ chlorine ($<1500\text{ppm}$ total Br + Cl) and $<1000\text{ppm}$ antimony compounds.
2. High Temperature Solder Exemption Applied, See EU Directive Annex 7a.

1 Watt Zener Diode 10 to 100 Volts

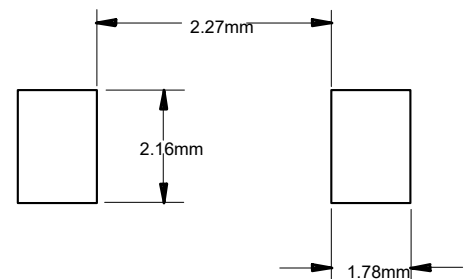
SMA (DO-214AC) LEAD FRAME



DIMENSIONS

DIM	INCHES		MM		NOTE
	MIN	MAX	MIN	MAX	
A	0.075	0.096	1.90	2.44	
B	0.050	0.064	1.27	1.63	
C	0.002	0.008	0.051	0.203	
D	---	0.020	---	0.51	
E	0.030	0.060	0.76	1.52	
F	0.065	0.091	1.65	2.32	
G	0.189	0.220	4.80	5.59	
H	0.157	0.187	4.00	4.75	
J	0.090	0.115	2.25	2.92	

SUGGESTED SOLDER PAD LAYOUT



Electrical Characteristics @ 25°C Unless Otherwise Specified

MCC Part Number	Zener Voltage	Test Current	Maximum Dynamic Impedance	Knee Current	Knee Impedance	Maximum Reverse Current	Reverse Voltage	Marking Code
	V_Z	I_{ZT}	$Z_{ZT} @ I_{ZT}$	I_{ZK}	Z_{ZK}	I_R	V_R	
	V	mA	Ω	mA	Ω	μA	V	
SMAJ4740AHE3	10	25	7	0.25	700	0.5	7.6	740A
SMAJ4741AHE3	11	23	8	0.25	700	0.1	8.4	741A
SMAJ4742AHE3	12	21	9	0.25	700	0.1	9.1	742A
SMAJ4743AHE3	13	19	10	0.25	700	0.1	9.9	743A
SMAJ4744AHE3	15	17	14	0.25	700	0.1	11.4	744A
SMAJ4745AHE3	16	15.5	16	0.25	700	0.1	12.2	745A
SMAJ4746AHE3	18	14	20	0.25	750	0.1	13.7	746A
SMAJ4747AHE3	20	12.5	22	0.25	750	0.1	15.2	747A
SMAJ4748AHE3	22	11.5	23	0.25	750	0.1	16.7	748A
SMAJ4749AHE3	24	10.5	25	0.25	750	0.1	18.2	749A
SMAJ4750AHE3	27	9.5	35	0.25	750	0.1	20.6	750A
SMAJ4751AHE3	30	8.5	40	0.25	1000	0.1	22.8	751A
SMAJ4752AHE3	33	7.5	45	0.25	1000	0.1	25.1	752A
SMAJ4753AHE3	36	7	50	0.25	1000	0.1	27.4	753A
SMAJ4754AHE3	39	6.5	60	0.25	1000	0.1	29.7	754A
SMAJ4755AHE3	43	6	70	0.25	1500	0.1	32.7	755A
SMAJ4756AHE3	47	5.5	80	0.25	1500	0.1	35.8	756A
SMAJ4757AHE3	51	5	95	0.25	1500	0.1	38.8	757A
SMAJ4758AHE3	56	4.5	110	0.25	2000	0.1	42.6	758A
SMAJ4759AHE3	62	4	125	0.25	2000	0.1	47.1	759A
SMAJ4760AHE3	68	3.7	150	0.25	2000	0.1	51.7	760A
SMAJ4761AHE3	75	3.3	175	0.25	2000	0.1	56	761A
SMAJ4762AHE3	82	3	200	0.25	3000	0.1	62.2	762A
SMAJ4763AHE3	91	2.8	250	0.25	3000	0.1	69.2	763A
SMAJ4764AHE3	100	2.5	350	0.25	3000	0.1	76	764A

Curve Characteristics

Fig. 1 - Power Derating Curve

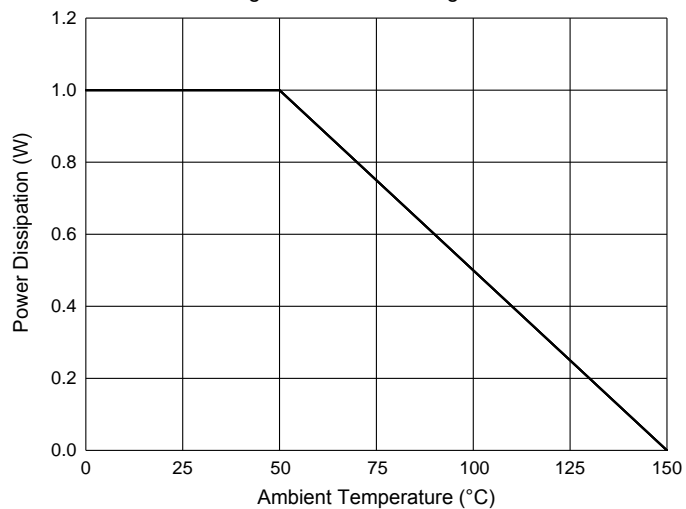
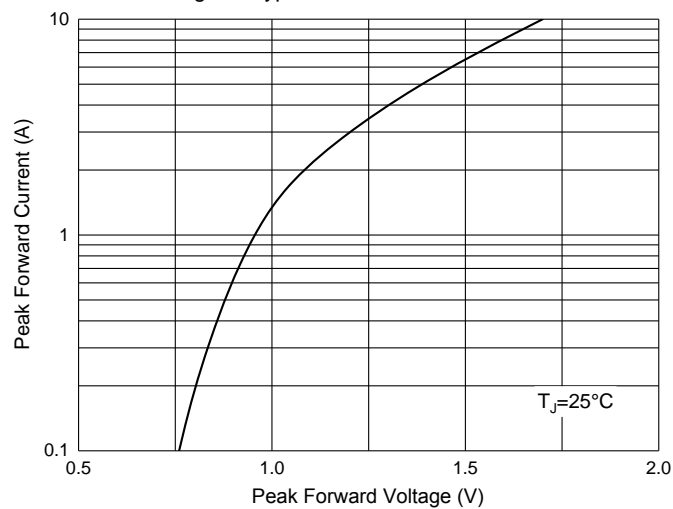


Fig. 2 - Typical Forward Characteristics



Ordering Information

Device	Packing
Part Number-TP	Tape&Reel:7.5Kpcs/Reel

IMPORTANT NOTICE

Micro Commercial Components Corp. reserves the right to make changes without further notice to any product herein to make corrections, modifications , enhancements , improvements , or other changes . **Micro Commercial Components Corp** . does not assume any liability arising out of the application or use of any product described herein; neither does it convey any license under its patent rights ,nor the rights of others . The user of products in such applications shall assume all risks of such use and will agree to hold **Micro Commercial Components Corp** . and all the companies whose products are represented on our website, harmless against all damages. **Micro Commercial Components Corp.** products are sold subject to the general terms and conditions of commercial sale, as published at <https://www.mccsemi.com/Home/TermsAndConditions>.

LIFE SUPPORT

MCC's products are not authorized for use as critical components in life support devices or systems without the express written approval of Micro Commercial Components Corporation.

CUSTOMER AWARENESS

Counterfeiting of semiconductor parts is a growing problem in the industry. Micro Commercial Components (MCC) is taking strong measures to protect ourselves and our customers from the proliferation of counterfeit parts. MCC strongly encourages customers to purchase MCC parts either directly from MCC or from Authorized MCC Distributors who are listed by country on our web page cited below. Products customers buy either from MCC directly or from Authorized MCC Distributors are genuine parts, have full traceability, meet MCC's quality standards for handling and storage. **MCC will not provide any warranty coverage or other assistance for parts bought from Unauthorized Sources.** MCC is committed to combat this global problem and encourage our customers to do their part in stopping this practice by buying direct or from authorized distributors.